

ATECPOOL
INTERNACIONAL ESPAÑA

Top Mounted Sand Filter

Code: 55450/55510/55610 /55700/55800/55900

The Top Mounted Sand Filter is a high performance corrosion-proof filter that has superior flow characteristics that is with the ease of operation. Everything is made simple from installation, operation to the maintenance of the filter. The Top Mounted Sand Filter will be your pool filtration partner that provides clear water with the least maintenance hassle and care.



WARNING

BEFORE INSTALLATION BE SURE TO READ ALL INSTRUCTIONS AND WARNINGS CAREFULLY. KEEP

THIS USER MANUAL FOR FUTURE REFERENCE.

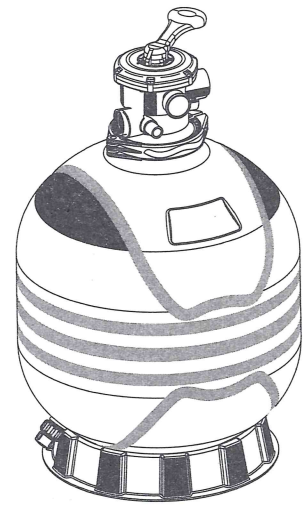
HOW IT WORKS

The Filter uses special sand to remove dirt particles from pool water. Filter sand is loaded into the filter tank to act as the filtration media. The pool water which contains dirt particles is pumped through your piping system to the filter via the filter control valve. As pool water passes through the filter, dirt particles will be caught by the sand bed and filtered out. The cleaned pool water is returned from the bottom of the Filter Tank, through the control valve and back to the pool through your piping system. The entire process is continuous and automatic. It is this process that provides the filtration and circulation of water in your pool.

With the filtration process, dirt will accumulate and becomes saturated in the filter tank. Pressure in the tank will increase and the resistance of water flow will occur. This means it is time to clean (backwash) your filter. Another indication to know when to clean (backwash) the filter is by checking the pressure gauge reading. Backwash operation should be performed when the pressure increases by 10psi above the pressure when it was clean. Typically a clean filter will run at 10 to 15psi, so take note of the pressure gauge reading when the filter was installed. When the pressure reaches approximately 20 to 25psi or 50% increase from the clean reading, proceed to the Backwash operation.

WARNING: turn off the pump before switching the control valve handle.

To perform the Backwash operation, position the handle on the control valve to "Backwash", the water flow is automatically reversed through the filter so the water is directed from the bottom of the tank, up through the sand, flushing the trapped dirt



and debris out of the waste line. The duration of the backwash operation will depend on how dirty your filter is. Check the sight glass to see when the water becomes clear. It is recommended that the backwash should be at least 2 minutes long. Once the backwash operation had been completed, the filter should go through the process of "Rinse" and then back to "Filter". To perform the different operations, position the handle on the control valve as indicated.

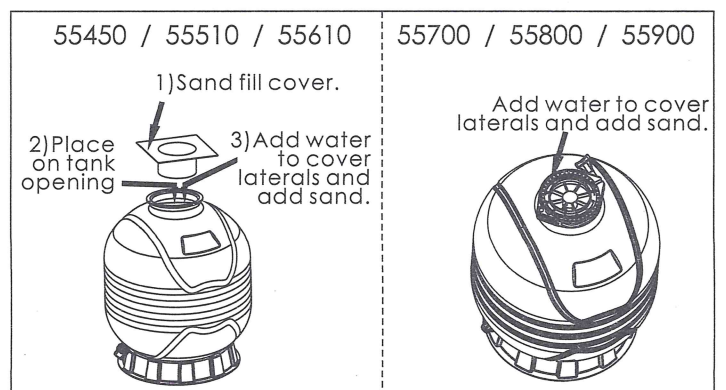
INSTALLATION

Installation had been made simple, the only tools needed is a screwdriver and pipe sealant for plastic. The filter should be installed as close to the pool as possible, but keep a distance of at least 5 feet (1.5m). Locate the Filter on rigid, level surface, preferably in a dry, shaded, and well-ventilated area. Prior to installation give consideration to the following: Position of suction, return, and waste connections. Access for backwashing operation and servicing; protection from sun, rain, splashing, etc; Drainage of filter room; Ventilation and protection of the motor.

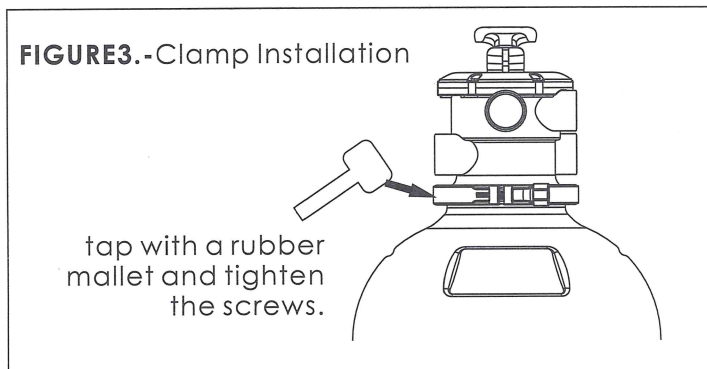
- 1) Place the empty tank in position.
- 2) Fill the tank with water to the level that covers the laterals (crepinas), or about 1/3 of the tank height is recommended. This will avoid damages to the laterals (crepinas) by the force of the sand when pouring into the filter.

Code: 55450, the Multiport Control Valve had been pre-assembled. Remove the Multiport Control Valve from the tank by unfastening the screw from the Clamp. Place the Sand Fill Cover over the tank opening to prevent the sand from getting into the standpipe.

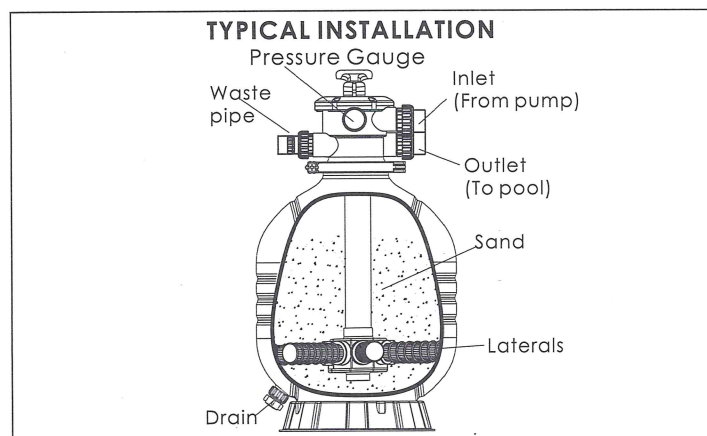
55510, 55610, 55700, 55800, 55900, the Sand Fill Cover had been pre-assembled.



- 3) Pour the recommended amount of sand into the tank, making sure that the centre-pipe remains centred and vertical.
- 4) Level the surface of the sand upon completion.
- 5) Remove the Sand Fill Cover.
- 6) Carefully remove all sand particles from the valve mounting surface.
- 7) Place the O-ring into the groove on the tank.
- 8) Lower the Multiport Control Valve carefully into position so that its underside engages with the centre-pipe. Rotate the valve until the inlet is approximately in line with the pump.
- 9) Place the clamp set around the tank and the valve. Secure using the screw provided.
- 10) Firmly tap with a rubber mallet outside of the clamps as you tighten the screw.
- 11) Tighten the screw until the Multiport Control Valve is properly assembled to create a water tight seal. Do not over tighten.



- 12) Install the pressure gauge into the threaded opening on the Multiport Control Valve.
- 13) Install the union sets and the backwash union set.
- 14) Connect pump to the control valve opening marked "PUMP".
- 15) Make return to pool pipe connection to control valve opening marked "RETURN".
- 16) Connect the waste water pipe to the control valve opening marked "WASTE".



- 17) To prevent water leakage, be sure all pipe connections are tight.
- 18) Prior to starting the filtration process by turning on the pump, we highly recommend that you read through the pump instruction manual to ensure proper installation and to avoid the risk of electric shock.

START-UP PROCEDURE

- 1) Be sure the correct amount of filter sand media is in the tank and all connections have been made and are secure.
- 2) Turn the Control Valve handle to the "Backwash" position. Press the handle downward before turning.
- 3) Start the pump according to pump instruction manual (be sure all suction and return lines are open).
- 4) Once water flow is steady out the waste line, run the pump for at least 2 minutes. The initial backwashing of the filter is recommended to remove any impurities or fine sand particles in the sand media.
- 5) Turn the pump off and set the control valve to RINSE position. Start pump and operate until water in sight glass is clear about ½ to 1 minute. Turn pump off, set valve to FILTER position and restart pump. Your filter is now operating in the normal filter mode, filtering particles and dirt from the pool water.
- 6) Take note of the initial pressure gauge reading for future reference. Variation may occur from pool to pool.
- 7) Adjust pool suction and return valves to achieve desired flow. Check system and filter for water leaks and tighten connections, bolts, nuts as required.

NOTE: During the initial clean-up of the pool water, it may be necessary to backwash frequently due to the unusually heavy initial dirt load in the water.

IMPORTANT: To prevent unnecessary strain on piping system and control valve, always turn off the pump before changing the operation of the control valve. To prevent damage to the pump and filter and for proper operation of the system, clean pump strainer (basket) and skimmer basket(s) regularly.

MULTIPORT CONTROL VALVE FUNCTIONS:-

FILTER gives downward flow through the filter bed. This position can also be used for vacuuming.

BACKWASH gives upward flow through the filter bed that removes the dirt from the sand and carries it to the waste.

WASTE is for pumping water from the pool. It allows the flow from the pump to bypass the filter and go directly to the waste. You can also use this position to vacuum heavy concentration of debris.

RECIRCULATE bypasses the filter to circulate water through the pool system.

RINSE gives a downward flow that settles the filter bed after backwashing and carries any remaining loose dirt to the waste.

CLOSED prevents only backflow of water from pool during pump maintenance.

To WINTERISE, set the control valve handle in the middle between RINSE and FILTER. This will allow air to leave or enter the tank to help priming and draining. Only to be used when the pump is off.

VACUUMING THE POOL

Light Soil: set the control valve to FILTER position.

Heavy Soil: set the control valve to WASTE position.

WINTERISING

Backwash the filter for at least thirty minutes before closing down the pool for winterising. This will clean the filter bed thoroughly.

- 1) Drain the filter tank by removing the drain cap at the base of the filter tank. Leave the cap off during winter.
- 2) Set the control valve handle between the RINSE and FILTER. This will lift the handle and help with the draining process by allowing air to enter into the tank.
- 3) Unscrew the pressure gauge from the control valve and store the gauge indoor.
- 4) Drain and winterise pump according to pump instructions.
- 5) Repairs should be made during the off-season when the best service is available, do not leave them until the next season.

TROUBLE SHOOTING

SAND ENTERING THE POOL

Sand too small; Flow too high; Sand bed calcified; Broken Laterals; Loose centre-pipe; Too much sand; Control Valve not engaged; Air accumulation in filter.

SAND OUT OF BACKWASH HOSE

Flow too high; Too much sand in tank.

INADEQUATE FILTERING

Dirt build up; improper sand; Sand bed is too low;

Algae in filter; Excessive dirt in pool; Calcified sand bed; Heavy swimmer load; Flow rate too high or too low; Backwashing cycle too short; Backwash line too small.

SHORT FILTER CYCLE

Dirty filter; Improper sand; Sand bed is low; Algae in filter; Excessive dirt in pool; Calcified sand bed; heavy swimmer load; Flow rate too high or too low; Backwashing cycle too short; Channels low; Backwash adapter in wrong location; Channels in sand.

FILTER LEAKS

Tank cracked; Drain plug not tight; Valve/Tank O'ring damaged.

CONTROL VALVE LEAKS

Handle not properly engaged; Valve/Tank O'ring damaged; Valve cover O'ring damaged. Pressure gauge O'ring damaged.

ABNORMAL LOSS OF POOL WATER

Leak inside Control Valve; Leakage from pool or piping.

HIGH PRESSURE FILTER

Dirty filter; Calcified sand bed; Return lines too small.

LOW PRESSURE IN FILTER

Control Valve incorrectly set; Pump running too slow (plugged or clogged); Air leakage into pump suction.

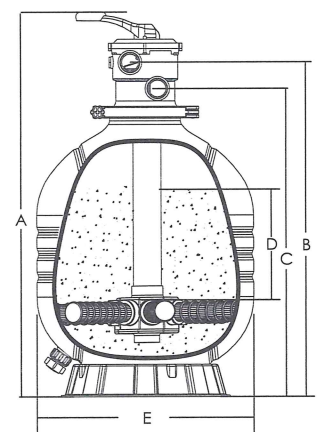
NOTE: If the recommendation in this manual do not solve your particular problem(s), please contact your local dealer for service.

POOL CHEMISTRY GUIDELINES

SUGGESTED POOL CHEMISTRY LEVELS		ACTION REQUIRED TO CORRECT POOL CHEMISTRY	
		TO RAISE	TO LOWER
PH	7.2 to 7.6	Add Soda Ash	Add Muriatic Acid or Sodium Bisulphate
TOTAL ALKALINITY	100 to 130 ppm	Add Sodium Bicarbonate	Add Muriatic Acid
CHLORINE (UNSTABILIZED)	0.3 to 1.0 ppm	Add Chlorine Chemical	No action-chlorine will naturally dissipate
CHLORINE (STABILIZED)	1.0 to 3.0 ppm	Add Chlorine Chemical	No action-chlorine will naturally dissipate
CHLOR! NE STAB! LIZER (Cyanuric Acid)	40 to 70 ppm	Add Stabilizer	Dilution-partially drain&refill pool with water that has not been treated with Cyanuric Acid.

SPECIFICATIONS

CODE	55450	55510	55610	55700	55800	55900
Filter Area (m ²)	0.14	0.20	0.28	0.36	0.47	0.61
Valve Connections	1.5 inch	1.5 inch	1.5 inch	1.5 inch	2.0 inch	2.0 inch
	50mm	50mm	50mm	50mm	63mm	63mm
Max Flow Rate	117lpm	167lpm	233lpm	300lpm	392lpm	508lpm
	7.0m ³ /h	10.0m ³ /h	14.0m ³ /h	18m ³ /h	23.5m ³ /h	30.5m ³ /h
All Sand Required (kg)	40	70	125	185	320	430
A(mm)	816	889	980	1081	1178	1296
B(mm)	695	772	860	963	1021	1139
C(mm)	625	712	800	903	955	1073
D(mm)	195	225	280	300	370	440
E(mm)	425	500	600	675	775	875



REPLACEMENT PARTS OF FILTER

Key No.	Part No.	Description	QTY
1	88281550B	6 Way 1.5" Valve with 1.5" union set x 3 and pressure gauge (Black)	1
1	88281551B	6 Way 2" Valve with 2" union set x 3 and pressure gauge (Black)	1
2	06021013	Plastic Pressure Gauge with O-Ring	1
2	01111048	Connector for Pressure Gauge/Stopper	1
3	89280102B	1.5" union set (Black) with O-ring	3
3	89280102W	1.5" union set (White) with O-ring	3
3	89280103B	2" union set (Black) with O-ring	3
3	89280103W	2" union set (White) with O-ring	3
4	03021035	M6 Nut	1
5	89012512	Clamp Kit	1
6	01111101	Star-Shaped Nut	1
7	03011166	M6×110mm Screws	1
8	02010007	O-Ring	1
9	89012501	Filter Tank for 55450	1
9	89012502	Filter Tank for 55510	1
9	89012503	Filter Tank for 55610	1
9	89012504	Filter Tank for 55700	1
9	89012505	Filter Tank for 55800	1
9	89012506	Filter Tank for 55900	1
10	89012507	Lateral Assembly with Center Pipe for 55450	1
10	89012508	Lateral Assembly with Center Pipe for 55510	1
10	89012509	Lateral Assembly with Center Pipe for 55610	1
10	89012510	Lateral Assembly with Center Pipe for 55700	1
10	89012514	Lateral Assembly with Center Pipe for 55800	1
10	89012515	Lateral Assembly with Center Pipe for 55900	1
11*	01172007	Laterals (115mm)	*
11*	01172008	Laterals (126mm)	*
11*	01172010	Laterals (185mm)	*
12	89011601	Water Drain Set	1
13	01111059	16-21inch Filter Base	1
13	01111062	21-28inch Filter Base	1
13	01112037	31-35inch Filter Base	1

Notes:

11* 55450 should have 8pcs of Lateral (115mm)

11* 55510/55610/55700 should have 8pcs of Lateral (126mm)

11* 55800/55900 should have 4pcs of lateral (115mm) and 4pcs of lateral (185mm)

