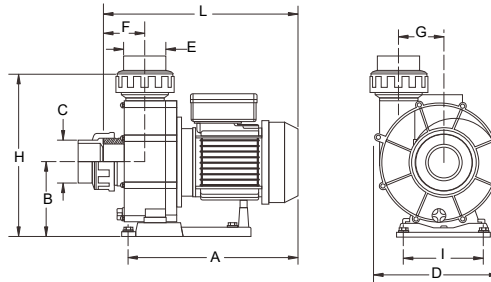


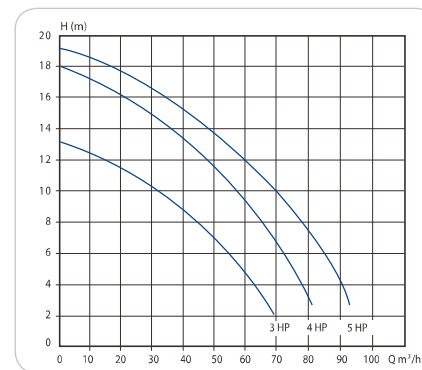
Atecpool Counter Current Super-Quiet pump



Atecpool Counter Current High-flow centrifugal pump.

- Pump body made in polypropylene reinforced with fibreglass, resistant to chemical products in the swimming pool, guaranteed to last a long time.
- Impeller in Noryl.
- Mechanical seal in graphite and ceramics.
- Motor shaft manufactured in stainless steel AISI 316L. 3HP single-phase motors at 230V-50Hz, or three-phase 3HP, 4HP or 5.5HP at 230/400V-50Hz motors, all at 3,000 rpm and IP-55 protection.
- Possibility of 60Hz upon request.
- Connections of suction and return at 3 1/2" for Ø 75 mm bush connections.
- Bush connections included with the pump

Performance graph



note:
3 = AKT4300
4 = AKT4400
5 = AKT4550

Code	Power		rpm	Manometric height w.c.m.								Connection	
	HP	kW		6	8	10	12	14	16	18	20	DNA	DNI
				Flow m³/h									
AKT4300	3	2.2	3,000	55	44	31	12	-	-	-	-	75	75
AKT4400	4	2.9	3,000	73	66	58	49	36	21	-	-	75	75
AKT4550	5.5	4	3,000	86	79	70	60	49	34	16	-	75	75

Code	Dimensions						Packing Dimensions				
	A	B	C	D	E	F	G	H	I	L	Weight kg
AKT4300	370	156	Ø75	260	Ø75	77	95	319	168	420	205
AKT4400	410	156	Ø75	260	Ø75	77	95	319	168	450	235
AKT4550	410	156	Ø75	260	Ø75	77	92	319	168	450	255

Counter Current Control Panel Leak proof housing IP-67, 160x160x140 mm. With pneumatic switch for remote control. Pumps protection by motor circuit breaker.

Code	Dimensions	"A"	HP	Weight	Volume
	mm			kg	m³
AT173C	160x160x140	60 - 100 A	4.0 / 5.5 HP TRI	1.1	0.004



Atecpool Counter Current Nozzle

Counter current equipment

Atecpool Jet Stream Nozzle in stainless steel AISI 316



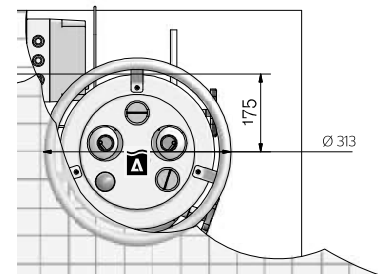
Note: Codes below includes only the nozzle.



Atecpool Jet stream Nozzle in Stainless steel construction, highly competitive in hydraulic performance. The Jet swim pump is activated via a piezoelectric switch. Wall mounted assembly with semi-circular handle, the regulator forces the impact of the water jet into 40mm nozzle.

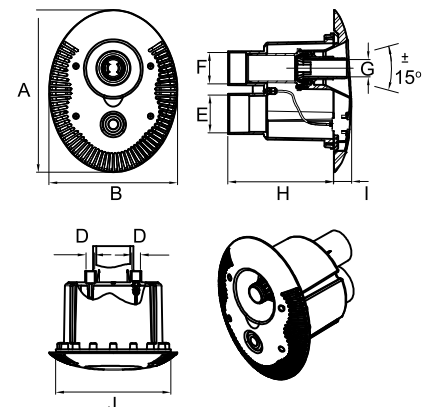
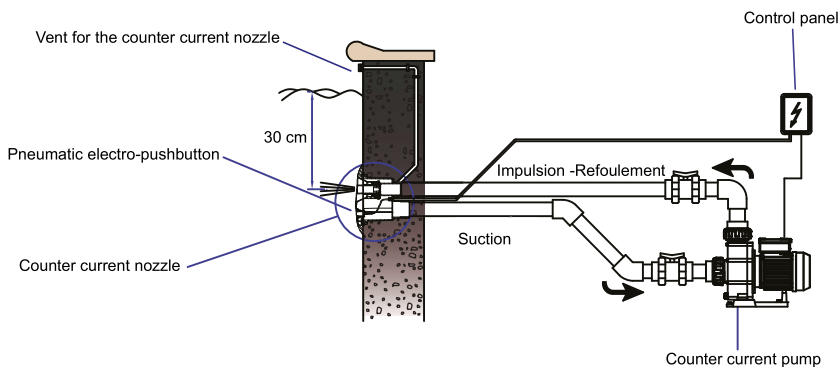
Installation of the **ATECPOOL Jet Stream Nozzle** is hassle free with inlet outlet connections on the rear end. The center of the Jet stream housing must be 175 mm below the water surface. The stainless steel front plate is installed after the casting.

Available in three versions. Single Jet Stream 40mm, Double Jet Stream 40 mmx2 and Double Jet Stream Nozzle 40mmx2 RGB back light for relaxing chromotherapy. Double Jet Stream nozzle 40 mm x 2. Recommended Pump 4 KW with capacity of 70 m³/hr.



Code	Description	Dimensions	Pipe connection	Materials
Diameter				
AT019S	Double Jet stream nozzle 40mmx2	Ø 313	2.5"	Stainless Steel AISI 316

Atecpool Counter Current Nozzle ABS made entirely of white ABS, totally resistant to UVA rays and the harsh chemicals generally used in swimming pools. Built-in pneumatic pushbutton to operate in relay with the pump's control box. (AT034, AT035, AT036). Directional jet, venturi outlet, connections.



Code	Pool	Dimensions									Weight kg
		A	B	D	E	F	G	H	I	J	
AT034	Concrete	390	310	Ø 20.5	Ø 90	Ø 75	41	255	43.5	Ø 278	2.5
AT035	Prefabricated	390	310	Ø 20.5	Ø 90	Ø 75	41	255	43.5	Ø 278	2.5
AT036	Liner	390	310	Ø 20.5	Ø 90	Ø 75	41	255	43.5	Ø 278	2.5

Safety: The Jet is strong, do not go closer than 0,4 m from the outlet. Small children to be accompanied by adults while Counter Current Jet in operation.