

Atecpool FDN-1500-H

Centrifugal pump

Atecpool FDN-1500-H



Materials Cast Iron Version

- Pump housing:** Cast Iron
- Impeller:** Cast Iron or Bronze
- Prefilter basket:** AISI 304
- Shaft:** Stainless Steel AISI 316L
- Screws:** Stainless Steel AISI 316
- Mechanical Seal:** Carbon + Resin - Ceramics

Atecpool FDN-1500-H is a pool pump, specially designed for public pools, competition pools and spas. It is designed for use in large pools. All parts in contact with water are treated by long lasting cataphoresis. This treatment prevents the formation of troublesome oxides on cast iron pumps as the paint chemically combines with all iron molecules located on the surface of the workpiece. The cataphoresis significantly prolongs the life of cast iron and is one of the best anti-corrosive and anti-rust treatments existing on the market nowadays. Manufactured fully in bronze on request for use with seawater.

Atecpool FDN-1500-H Specifications

- High efficiency motor class IE3 according to regulation ECn° 640/2009
- Waterproof: IP55
- Flow rate: up to 300 m³/h
- Voltage: 230/400V or 400/690V
- Motor: 50Hz / 1450 rpm
- Available also at 60Hz
- Available in bronze for operation with salt chlorinators and sea water.

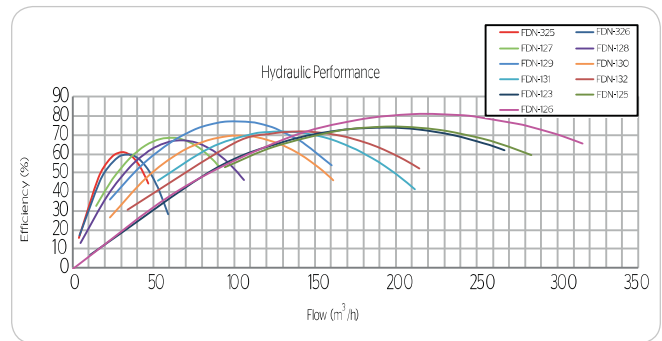
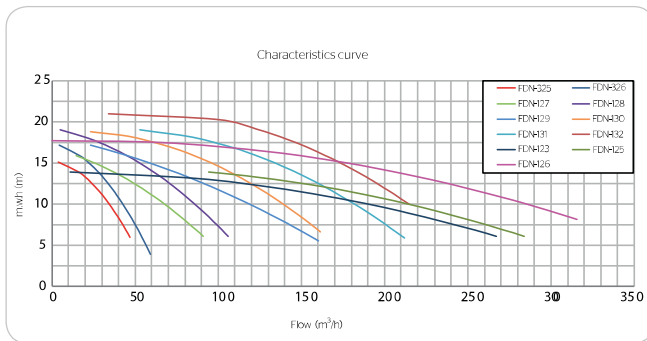
Atecpool FDN-1500-H

Code	Power		III 230V/400V		III 400/690V		Manometric height w.c.m							DN		Weight Kg		
	HP	KW	A	A	A	A	6	8	10	12	14	16	18	20	21		IN	OUT
Flow m³/h																		
FDN-325 BR-325	2	1,5	5,7	3,3	-	-	47	41	34	26	16	-	-	-	-	100	50	84
FDN-326 BR-326	3	2,2	7,9	4,5	-	-	54	48	42	36	28	17	-	-	-	100	50	89
FDN-127 BR-127	4	3	10,5	6,0	-	-	91	80	68	54	35	15	-	-	-	100	80	103
FDN-128 BR-128	5,5	4	13,8	7,9	7,9	4,6	106	80	86	73	61	45	22	-	-	100	80	111
FDN-129 BR-129	7,5	5,5	18,6	10,7	10,7	6,2	160	97	118	96	76	42	-	-	-	125	100	143
FDN-130 BR-130	10	7,5	-	-	14,3	8,3	162	155	140	126	107	82	46	-	-	125	100	153
FDN-131 BR-131	12,5	9,2	-	-	17,5	10,1	212	197	181	163	145	121	84	-	-	150	100	213
FDN-132 BR-132	15	11	-	-	20,4	11,8	-	-	214	198	184	164	141	100	-	150	100	243
FDN-123	10	7,5	-	-	14,3	8,3	268	235	194	131	11	-	-	-	-	150	125	220
FDN-125	12,5	9,2	-	-	17,5	10,1	284	254	215	164	94	-	-	-	-	150	125	228
FDN-126	15	11	-	-	20,4	11,8	-	316	281	248	211	131	-	-	-	150	125	261

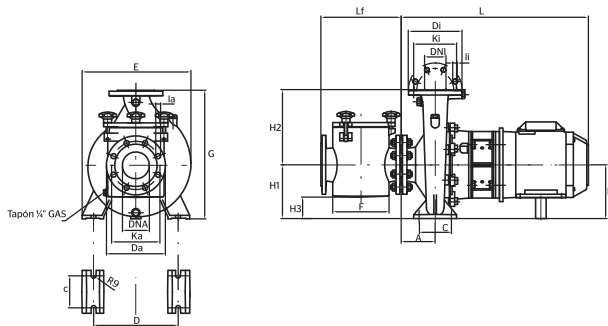
Atecpool FDN-1500-H

Centrifugal pump

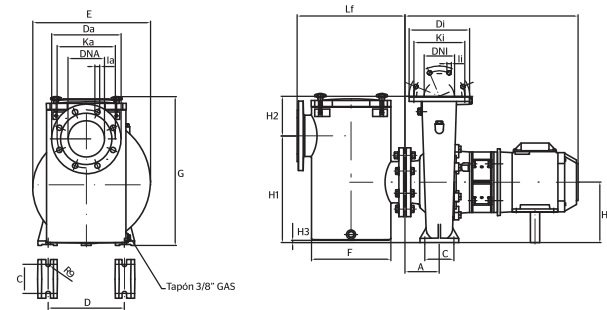
Performance graph



FDN-H 325/326/127/128/129/130



FDN-H 123/124/125/126/131/132



Code	Dimensions												Intake			Output					
	A	C	D	E	F	G	H	H1	H2	H3	L	Lf	Da	Ka	la	N°T	Di	Ki	li	N°T	
FDN-325	BR-325	100	95	250	335	210	405	180	180	225	60	470	298	220	180	19	8	165	125	19	4
FDN-326	BR-326	100	95	250	335	210	405	180	180	225	60	601	298	220	180	19	8	165	125	19	4
FDN-127	BR-127	125	120	315	405	210	480	200	200	280	80	641	298	220	180	19	8	200	160	19	4
FDN-128	BR-128	125	120	315	405	210	480	200	200	280	80	641	298	220	180	19	8	200	160	19	4
FDN-129	BR-129	140	120	315	430	250	505	225	225	280	93	801	345	250	210	19	8	220	180	19	8
FDN-130	BR-130	140	120	315	430	250	505	225	225	280	93	801	345	250	210	19	8	220	180	19	8
FDN-131	BR-131	140	120	315	430	328	505	225	416	88	-15	801	445	285	240	23	8	220	180	19	8
FDN-132	BR-132	140	120	315	430	328	505	225	416	88	-15	921	445	285	240	23	8	220	180	19	8
FDN-123		140	120	315	485	328	605	250	441	163	10	801	445	285	240	23	8	250	210	19	8
FDN-125		140	120	315	485	328	605	250	441	163	10	801	445	285	240	23	8	250	210	19	8
FDN-126		140	120	315	485	328	605	250	441	163	10	921	445	285	240	23	8	250	210	19	8