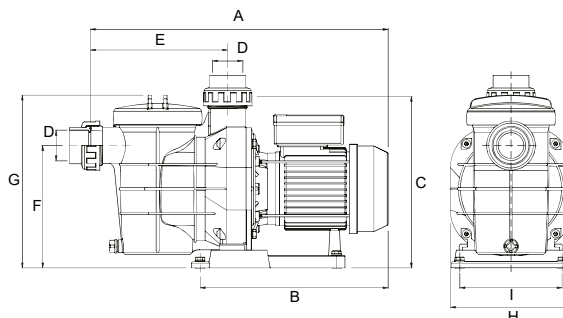


# Atecpool America

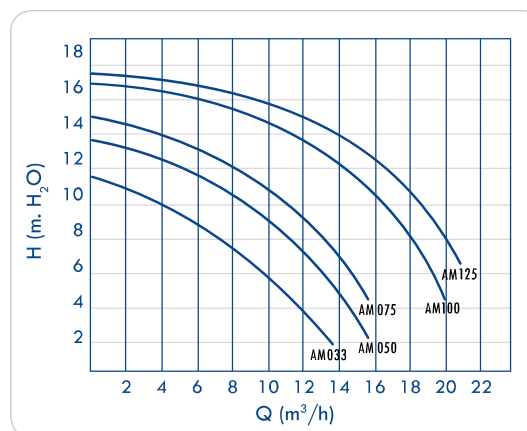
## Self-priming pump



### Atecpool America

- Self-priming electric pump for swimming pools, with built-in pre-filter.
- Pre-filter with transparent lid in polycarbonate which allows easy observation of the pre-filter basket.
- The pre-filter is closed by means of a thread.
- Pump body made in polypropylene reinforced with fibreglass, resistant to the chemical products in the swimming pool.
- Pump body lid and diffuser in Noryl.
- Noryl impeller with shaft in stainless steel AISI 316L.
- Mechanical seal in graphite and ceramics.
- Enclosed motor, totally silent, with IP-55 protection, 2,850 rpm 230V - 50Hz single-phase or 230 / 400V - 50Hz three-phase.
- Possibility of 60Hz upon request.
- Connections of suction and return at 2 1/4" for Ø50 mm bush connections.
- Suction and return unions D50 included

### Performance graph



Manometric delivery head is expressed in metres of water column (mwc). 1 bar = 10.19 mwc.

Code	Power		Manometric Height w.c.m.								
	HP	kW	2	4	6	8	10	12	14	16	
			Flow m³/h								
AM033M	0.3	0.25	13	12	10	7	<b>4</b>	-	-	-	
AM050M	0.5	0.37	-	15	13	11	<b>9</b>	5	-	-	
AM075M	0.75	0.55	-	-	15	13	<b>11</b>	8	4	-	
AM075T											
AM100M	1	0.75	-	-	19	18	<b>16</b>	14	11	6	
AM100T											
AM125M	1.5	1.10	-	-	-	20	<b>19</b>	17	14	9	
AM125T											

Code	Power		Dimensions									Weight	Volume
	HP	KW	A	B	C	D	E	F	G	H	I	kg	m³
AM033M	0.3	0.25	475	296	280	Ø 50	225	200	285	199	168	9.7	0.059
AM050M	0.5	0.37	475	296	280	Ø 50	225	200	285	199	168	10	0.059
AM075M	0.75	0.55	490	311	280	Ø 50	225	200	285	199	168	12	0.059
AM075T													
AM100M	1	0.75	490	311	280	Ø 50	225	200	285	199	168	12.5	0.059
AM100T													
AM125M	1.5	1.10	490	311	280	Ø 50	225	200	285	199	168	13.5	0.059
AM125T													