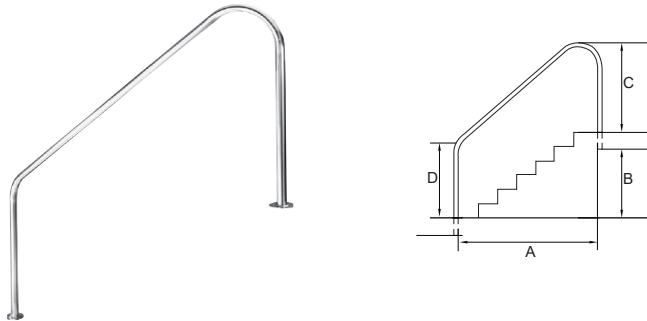


Pool Exit Grab Rails

Exit Grab Rails Two Bends With Flange

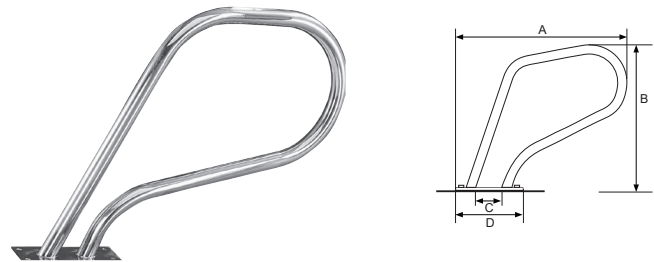
Polished AISI 316 Ø42 mm pipe with two bends for installing in and out of water. Supplied with welded flanges for repair.



Code	Length	Steps	Volume	Weight	A	B	C	D
AISI 316			(m ³)	(kg)	(mm)	(mm)	(mm)	(mm)
13026006	1.2 m	3	0.14	4.0	1200	660	817	752
13026006-1	1.5 m	4	0.16	4.5	1500	825	817	752
13026006-2	1.8 m	5	0.25	4.9	1800	990	817	752

Spa Exit Grab Rail With Flange

Polished AISI 316 Ø42 mm pipe bend for SPA exit access. Supplied with welded flange for fixing outside the water.



Code	Volume	Weight	A	B	C	D
AISI 316	(m ³)	(kg)	(mm)	(mm)	(mm)	(mm)
13026012	0.043	4.0	809	567	254	160

Pool Exit Grab Rail With flange

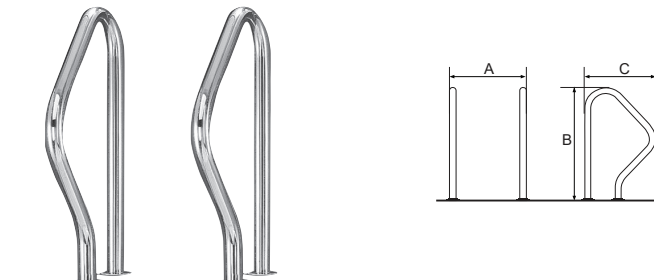
Polished AISI 316 Ø42 mm pipe bend for pool exit access. Supplied with welded flange for fixing outside the water. 1.35 m length extended for pool exit access and fixing out of the water.



Code	Volume	Weight	A	B	C	D
AISI 316	(m ³)	(kg)	(mm)	(mm)	(mm)	(mm)
13026008	0.05	5.1	1350	897	817	203

Two Piece Grab Rail with Flange

Polished AISI 316 Ø42 mm pipe, two piece pool exit grab rail supplied as a pair with welded flanges for fixing. Used as upper half for split ladders.



Code	Volume	Weight	A	B	C
AISI 316	(m ³)	(kg)	(mm)	(mm)	(mm)
13026011	0.08	7.0	533	800	260

Two Piece Grab Rail Asymmetrical

Polished AISI 316 Ø42 mm pipe bend for pool exit access. Supplied as pair. Asymmetrical model with welded flanges.



Code	Volume	Weight	A	B	C	D
AISI 316	(m ³)	(kg)	(mm)	(mm)	(mm)	(mm)
13026014	0.138	7.0	810	1053	560	758

Two Piece Grab Rail Parellel

Polished AISI 316 Ø42 mm pipe bend for pool exit access. Supplied as a pair. Parallel model with welded flanges.



Code	Volume	Weight	A	B	C
AISI 316	(m ³)	(kg)	(mm)	(mm)	(mm)
13026009	0.138	7.0	820	984	560