

# Life Saving Accessories

## Lifebuoy Holder Post

AISI 304 stainless steel base plate with 3 holes. Supplied with gaskets, anchor plugs and screws.



Code	Size	Weight	Volume
AISI 304	(mm)	(kg)	(m <sup>3</sup> )
001994020	Ø42	2.5	0.01

## Lifebuoy Ring

Made of styropor material, soft and covered with polyethylene canvas.



Code	Weight	Volume	Exterior	Interior
	(kg)	(m <sup>3</sup> )	(Ø mm)	(Ø mm)
13013690	2.0	0.06	700	460

## Lifebuoy Ring Holder

Designed to be hung on a wall or fitted on to a lifebuoy holder post.



Code	Material	Weight	Volume
		(kg)	(m <sup>3</sup> )
00194010	AISI 304	0.7	0.09

## Lifebuoy Ring Holder

Made of aluminum for holding a lifebuoy ring, to be hung on the wall or on the post.



Code	Material	Weight	Volume
		(kg)	(m <sup>3</sup> )
00194010-1	Aluminum	0.4	0.09

## Lifebuoy Hook

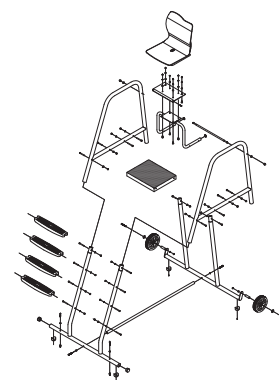
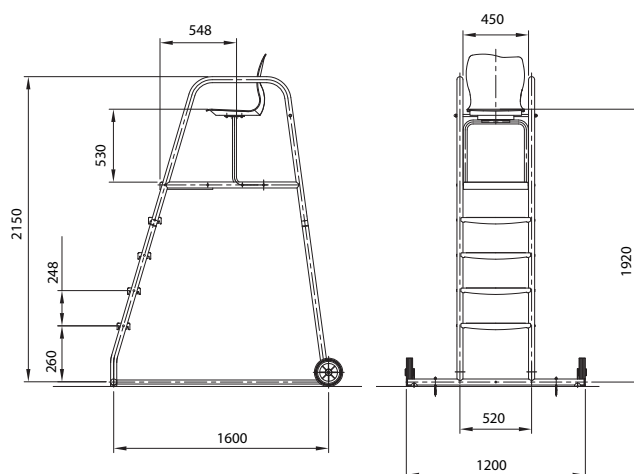
Stainless steel hanger with clip-type connection to telescopic poles.



Code	Material	Weight	Volume
		(kg)	(m <sup>3</sup> )
00194011	AISI 304	1.46	0.03

## Lifeguard Chair

Made of stainless steel AISI 304, Ø43 mm pipe. Wheeled base with steps, platform and chair made of plastic. Lifeguard Chair equipped with wheel locking mechanism and umbrella slot as optional additions. AISI 316 on request.



Code	Description	Height
		(m)
13077010	Atecpool Lifeguard Chair in AISI 304	1.8
13077010-1	Atecpool Lifeguard Chair in AISI 316, wheel locking, umbrella provision	1.8