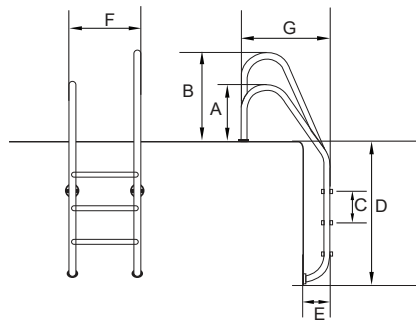


# Pool Access Ladders

## Standard Asymmetrical Ladder

Atecpool standard asymmetrical ladders made of AISI 316 are designed for safety against slipping near pool surfaces or slopes. Steps in stainless steel with anti-slip security. Handrails in polished stainless steel (Ø42mm tube). Complete with anchors and earthing accessories.



Steps	A	B	C	D	E	F	G
	(mm)	(mm)	(mm)	(mm)	(mm)	(mm)	(mm)
2	620	920	250	1300	180	500	738
3	620	920	250	1550	180	500	738
4	620	920	250	1800	180	500	738
5	620	920	250	2050	180	500	738

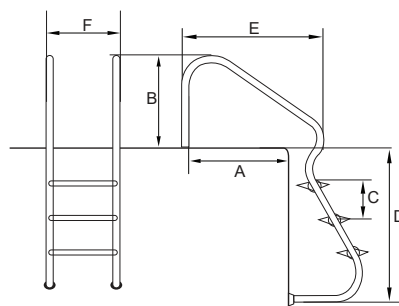
Deluxe S.S. 316



	Code	Weight	Volume
	AISI 316	(kg)	m <sup>3</sup>
2 steps asymmetrical	13002200-1	10.0	0.07
3 steps asymmetrical	13002300-1	11.8	0.08
4 steps asymmetrical	13002400-1	13.2	0.08
5 steps asymmetrical	13002500-1	14.0	0.10

## Easy Access Ladder

Atecpool Easy access ladders made of AISI 316 and are designed with double safety steps and increased height. Steps in stainless steel with anti-slip security. Handrails in polished stainless steel (Ø42mm tube). Complete with anchors and earthing accessories.



Steps	A	B	C	D	E	F
	(mm)	(mm)	(mm)	(mm)	(mm)	(mm)
2	490	620	250	1550	852	500
3	490	620	250	1700	852	500
4	490	620	250	1950	852	500

Deluxe S.S. 316  
Double safety tread



	Code	Weight	Volume
	AISI 316	(kg)	m <sup>3</sup>
2 steps easy access	13003200	15	0.07
3 steps easy access	13003300	16	0.08
4 steps easy access	13003400	17	0.08