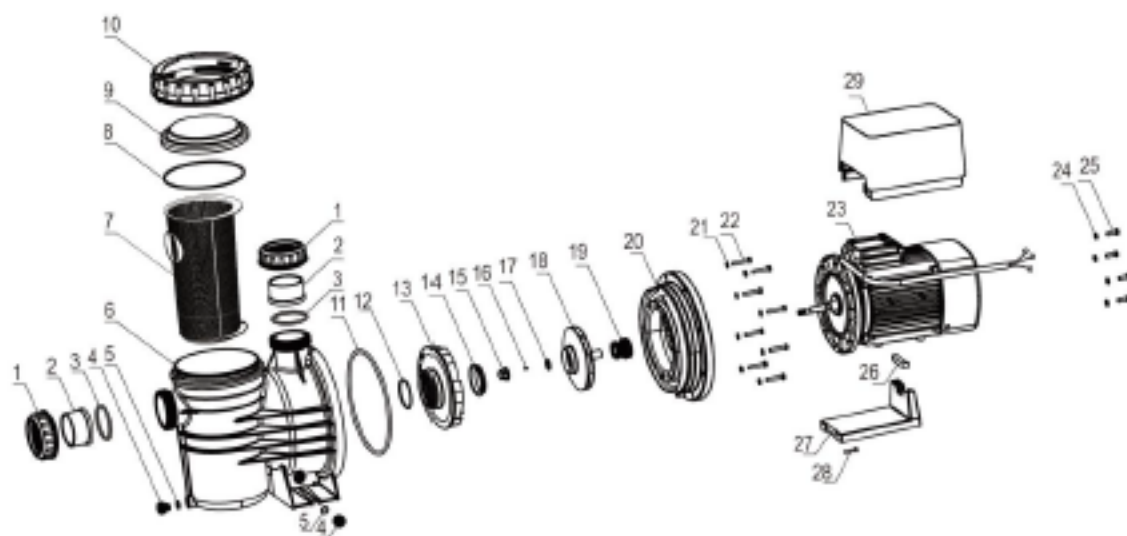


6. PIEZAS DE REPUESTO

6.1 Diagrama de piezas



6.2 Lista de piezas

No.	Nombre	cant.	No.	Nombre	Cant
1	Union Collar	2	16	Flat Key	1
2	Slip Adapter	2	17	O-Ring	1
3	O-Ring	2	18	Impeller	1
4	Drain Plug	2	19	Mechanical Seal	1
5	O-Ring	1	20	Seal Plate	1
6	Pump Body	1	21	Washer	8
7	Strainer Basket	1	22	Hexagon bolt	8
8	O-Ring	1	23	Motor	1
9	Transparent Lid	1	24	Washer	4
10	Nut For Lid	1	25	Hexagon bolt	4
11	O-Ring	1	26	Motor Support Plastic Strips	1
12	O-Ring	1	27	Base	1
13	Diffuser	1	28	Cross recessed pan head tapping Screws	1
14	Activities Rings	1	29	Programmable Controller	1
15	Impeller Nut	1			