

Radiant LED PAR 56 SMD Bulb

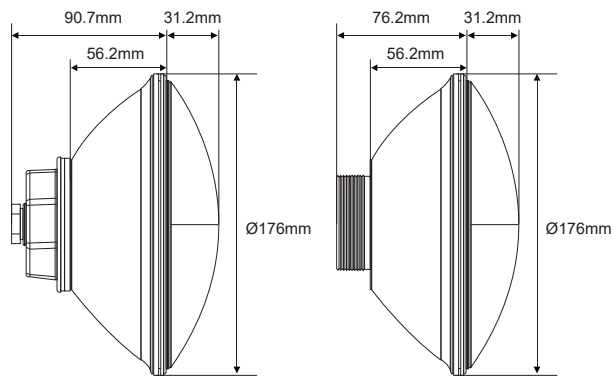
12V AC - IP68

Radiant LED PAR 56 SMD

Specially designed for your pools, with maximum efficiency lighting and maximum energy savings. High technology SMD LEDs create at maximum of 3300 Lumen in a single LED bulb. The LED Lamp shell comes with options of a Plastic Shell or Aluminium base. Aluminium base designed for extra-long life span for LEDs. Waterproof IP68. Colour selection is cool white, warm white, blue and RGB.



92005 CW



Code	Cool White	Warm White	Blue	RGB
Code	92005 CW	92005 WW	92005 B	92001
LED Type	SMD	SMD	SMD	SMD
LED Quantity	432	432	432	432
Power	33 W	33 W	33 W	30W
Input Voltage	12V AC	12V AC	12V AC	12V AC
Frequency	50/60 Hz	50/60 Hz	50/60 Hz	50/60 Hz
Lumen	3300 lm	2600 lm	720 lm	1550 lm
Operation Temperature	-30°C / +50°C	-30°C / +50°C	-30°C / +50°C	-30°C / +50°C
Cable Specification	2 x 1.5 mm ²	2 x 1.5 mm ²	2 x 1.5 mm ²	2 x 1.5 mm ²
IP Class	IP68	IP68	IP68	IP68
Max. Life Span	50000 hours	50000 hours	50000 hours	50000 hours



Easy Colour Picker



International Safety Tested
IEC EN 60598-2-18



Fast Return on Investment

