

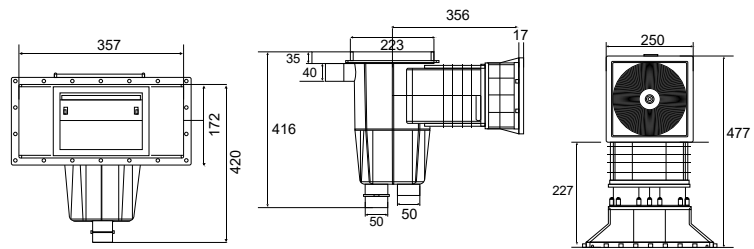
Pool Fittings

Wide Mouth Skimmer ABS

Wide Mouth Skimmer ABS

Manufactured in UV treated white ABS with top square lid and frame. With flap and flow regulation plug. Supplied with extra strong plastic basket with handle. Skimmer has an option of 3 connection sizes: 1½" internal threaded, 2" threaded and 50mm diameter for gluing. Overflow connection of 40mm diameter. Max. Recommended flow is 5m³/h. For optimum results it is recommended to use 1 skimmer per 25m² of pool surface area. The skimmer suction can also be used for vacuum cleaning the pool floor.

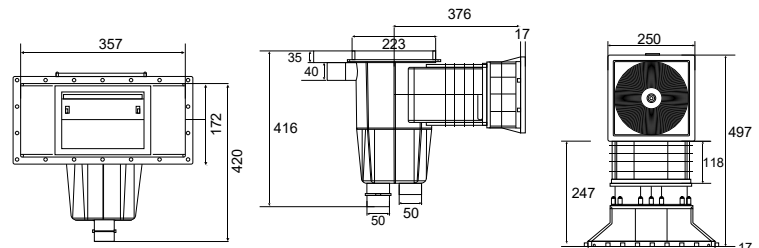
Wide Mouth Skimmer for concrete



Code	Description	Weight (kg)	Volume (m³)
01590020	Skimmer Wide Mouth ABS Concrete	4.47	0.12

Wide Mouth Skimmer for Liner

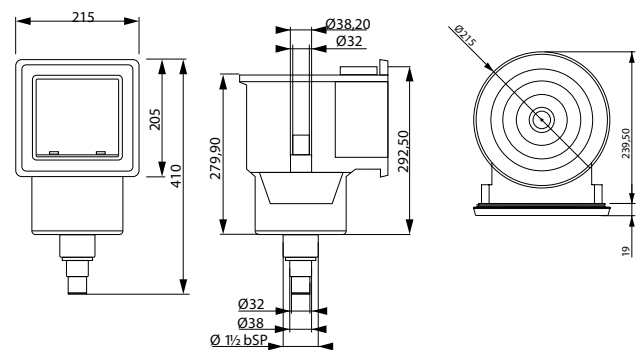
Supplied with double elastic adhesive gasket, flange and screws for liner fixing.



Code	Description	Weight (kg)	Volume (m³)
01591022	Skimmer Wide Mouth ABS Liner	5.09	0.12

Spa Skimmer ABS Ø32mm

SPA Skimmer in UV treated white ABS with Nozzle. Can be used for Concrete and Liner. Connection Ø32 mm. Supplied with a spa nozzle. Used in above ground pool with nozzle.



Code	Description	Weight (kg)	Volume (m³)
13101001	SPA Skimmer ABS with Nozzle Ø32mm	2.10	0.02