

# Atecpool Counter Current Nozzle

## Counter current equipment

### Atecpool Jet Stream Nozzle in stainless steel AISI 316



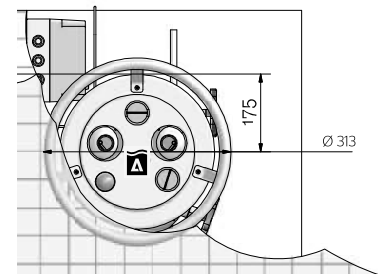
Note: Codes below includes only the nozzle.



**Atecpool Jet stream Nozzle** in Stainless steel construction, highly competitive in hydraulic performance. The Jet swim pump is activated via a piezoelectric switch. Wall mounted assembly with semi-circular handle, the regulator forces the impact of the water jet into 40mm nozzle.

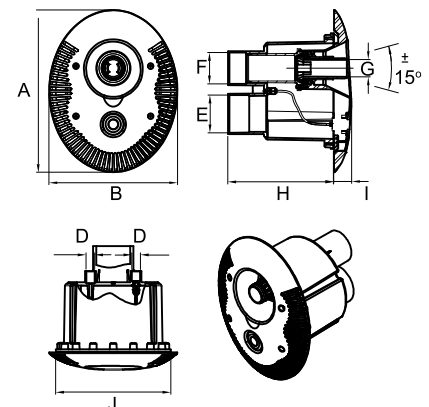
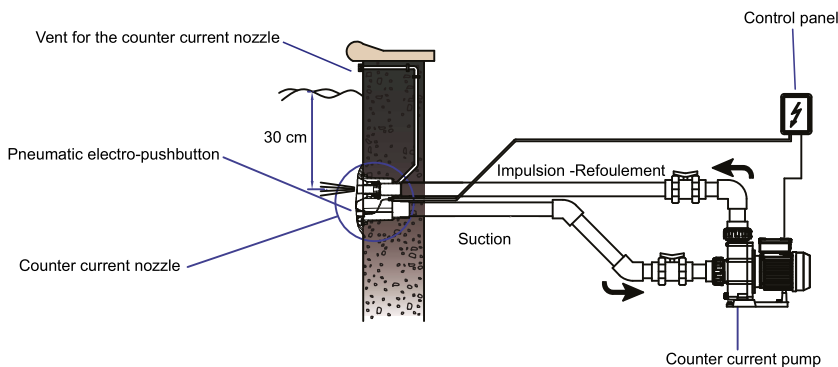
Installation of the **ATECPOOL Jet Stream Nozzle** is hassle free with inlet outlet connections on the rear end. The center of the Jet stream housing must be 175 mm below the water surface. The stainless steel front plate is installed after the casting.

Available in three versions. Single Jet Stream 40mm, Double Jet Stream 40 mmx2 and Double Jet Stream Nozzle 40mmx2 RGB back light for relaxing chromotherapy. Double Jet Stream nozzle 40 mm x 2. Recommended Pump 4 KW with capacity of 70 m<sup>3</sup>/hr.



Code	Description	Dimensions	Pipe connection	Materials
Diameter				
AT019S	Double Jet stream nozzle 40mmx2	Ø 313	2.5"	Stainless Steel AISI 316

**Atecpool Counter Current Nozzle ABS** made entirely of white ABS, totally resistant to UVA rays and the harsh chemicals generally used in swimming pools. Built-in pneumatic pushbutton to operate in relay with the pump's control box. (AT034, AT035, AT036). Directional jet, venturi outlet, connections.



Code	Pool	Dimensions									Weight kg
		A	B	D	E	F	G	H	I	J	
AT034	Concrete	390	310	Ø 20.5	Ø 90	Ø 75	41	255	43.5	Ø 278	2.5
AT035	Prefabricated	390	310	Ø 20.5	Ø 90	Ø 75	41	255	43.5	Ø 278	2.5
AT036	Liner	390	310	Ø 20.5	Ø 90	Ø 75	41	255	43.5	Ø 278	2.5

Safety: The Jet is strong, do not go closer than 0,4 m from the outlet. Small children to be accompanied by adults while Counter Current Jet in operation.