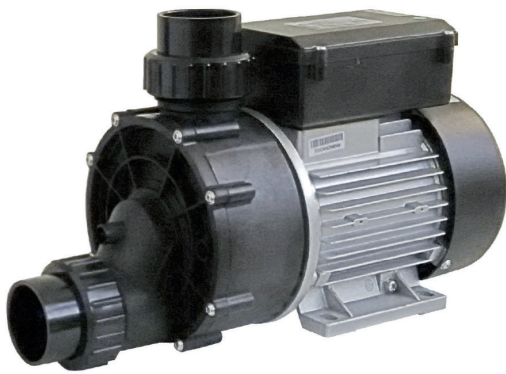


# Atecpool Hydro Massage Pump Whirlpool Pump

Atecpool HydroMassage Pump - Pump designed for its use in hydromassage equipment.

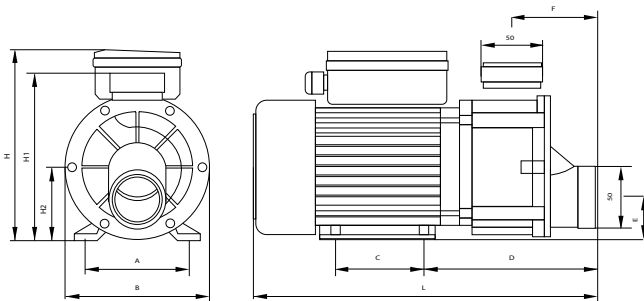
Atecpool Hydromassage pump is made for hot tubs in compliance with international safety standards on domestic appliances (IEC 335-1, IEC 34 and IEC 61-50). Wide range of flow rates and heights. The water is not in contact with any metal part of the pump, and this increases safety.



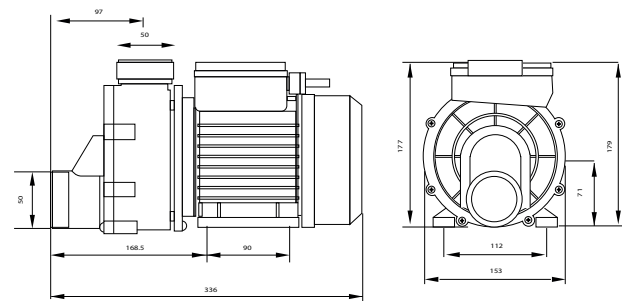
## Atecpool Hydromassage Pump

- Pump body and impeller: Polypropylene.
- Shaft: Stainless Steel AISI 420
- Mechanical seal: Carbon + Resin – Ceramics
- Motor: 2,900 rpm.
- Isolation class: F.
- Protection: IP55.
- Thermal protection: Included.

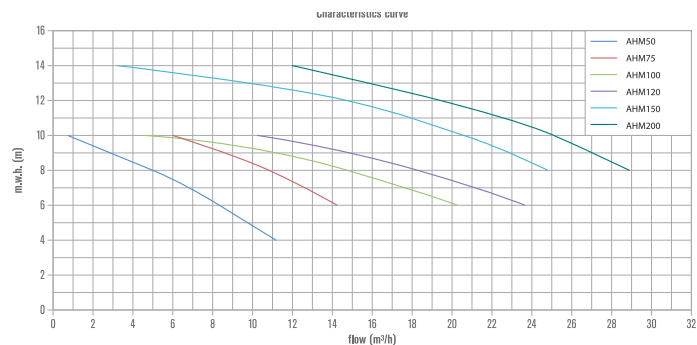
## Atecpool Hydromassage Pump 50



## Atecpool Hydromassage Pump 100/150



Code	Dimensions										
	A	B	C	D	E	F	L	H	H1	H2	
AHM50	100	153	80	164	33	89	317	191	168	63	
AHM75	112	156	90	172	44	86	347	205	179	74	



Code	Power				Cond. Capac. Cond. µm	II 230V A	Manometric Height w.c.m.						Weight kg
	P <sub>1</sub>	P <sub>1</sub>	P <sub>2</sub>	P <sub>2</sub>			4	6	8	10	12	14	
	kW	HP	kW	HP			Flow rate m <sup>3</sup> /h						
AHM50	0.37	0.5	0.25	0.33	7	2.0	11.2	8.4	5.0	0.8	-	-	5.9
AHM75	0.55	0.75	0.37	0.5	10	3.2	-	14.2	10.9	6.0	-	-	7.9
AHM100	0.75	1	0.55	0.75	10	3.8	-	20.3	14.7	4.5	-	-	8.3
AHM120	0.9	1.2	0.65	0.85	15	4.6	-	23.6	18.2	10.3	-	-	8.8
AHM150	1.1	1.5	0.75	1	20	5.8	-	-	24.7	20.6	14.8	3.3	9.5
AHM200	1.5	2	1.1	1.5	30	7.0	-	-	28.9	25.1	19.4	12.0	10.0