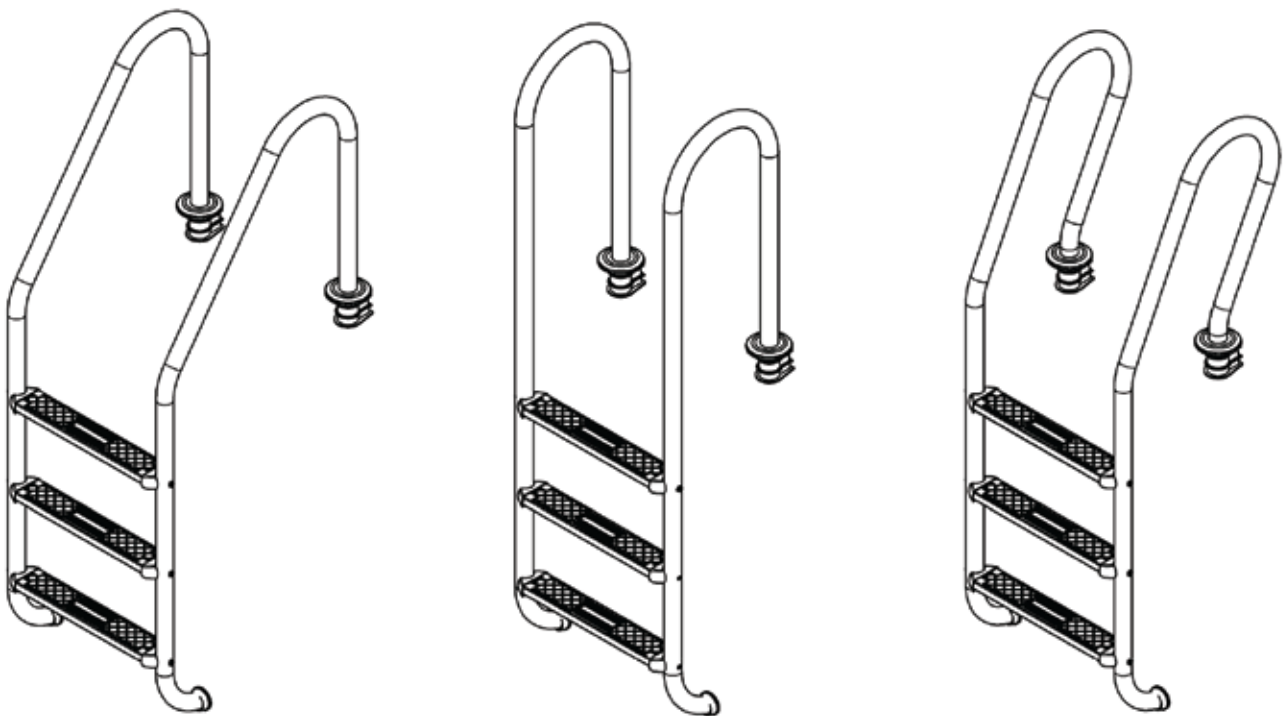


Atecpool Access Ladders

Installation Details

Standard Ladder / Muro Ladder / Mixed Ladder

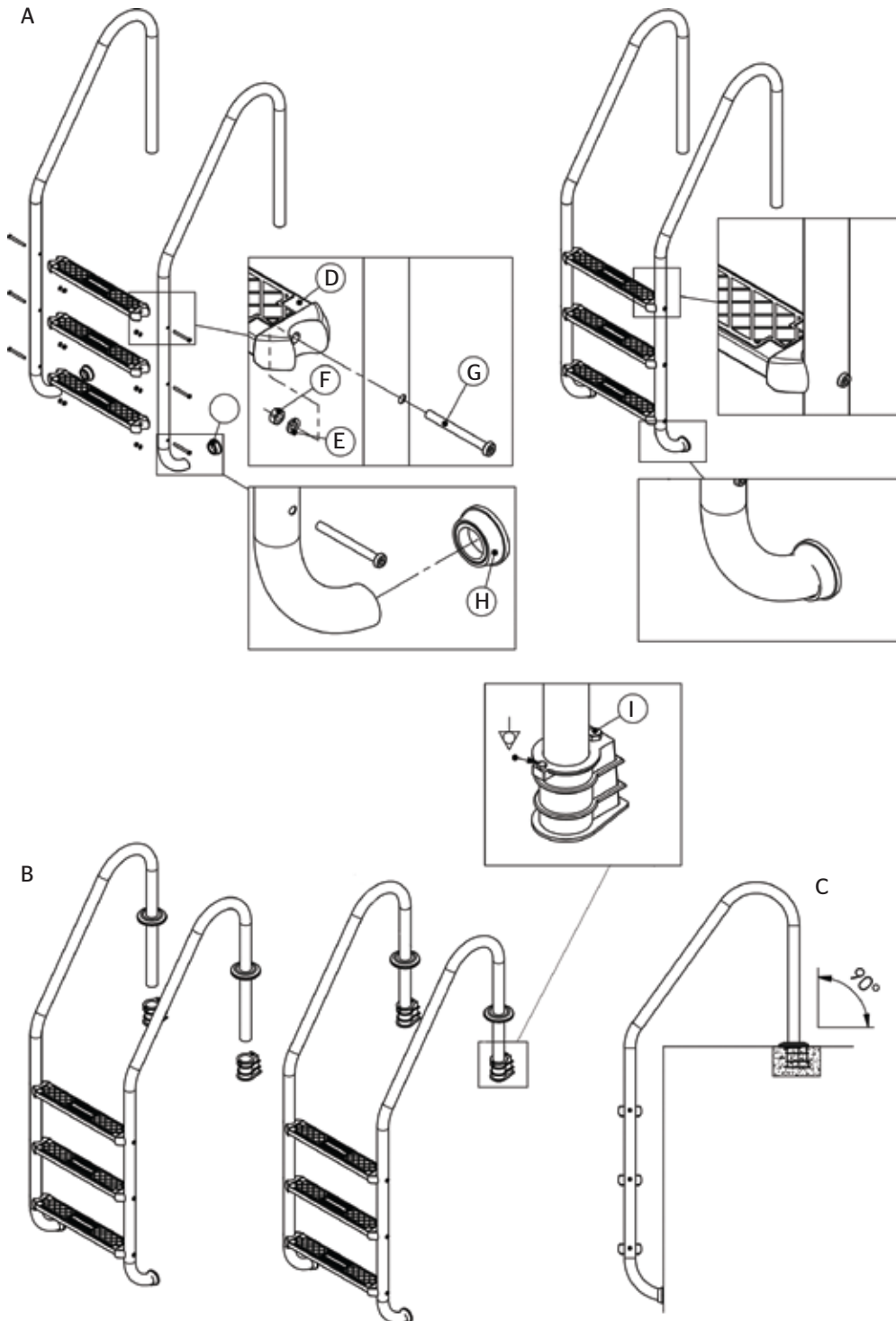


Please read these instructions carefully and keep them for future reference. For ease of installation, this ladder can be assembled by one adult in less than 30 minutes.

The following tools are needed for installation: a set of spanners keys to screw the steps and anchor.

Atecpool Access Ladders

Installation Details



1.Assemble the ladder, positioning the threads(d) and fixing same by means of the corresponding screws(g), nuts (f) and washers(e).

2.Assemble the hand rail bungs (h) to prevent the ladder from damaging the pool liner

3.When the ladder is assembled, insert into the anchors (c), having previously put the escutchenos (b) on the hand rail.Fix the ladder in place by tightening the Fixing plug (l) and putting the escutchenos (b) in place to cover the ladder anchors.

4.Assemble the ladder into the anchors(c) and embed into the concrete



Atecpool Access Ladders

Installation Details

Note :

The ladder meets standard EN 16582

- The Maximum load of this ladder is 150 kg
- Check the condition of the components of the ladder before assembly and while in use
- The ladder should not be used for other purposes.
- Do not sit on the ladder
- Do not allow children to use the ladder without supervision
- Only one person at a time should use the ladder
- Do not allow children to use the ladder without supervision
- Do not dive or jump from the ladder
- It is advisable that the ladder is taken down and cleaned during the winter season in order to keep it in good condition.
- Always face the ladder when climbing up or down
- Read the assembly instructions carefully.