

Diving Boards & Slides

Flexible Diving Board with Rails

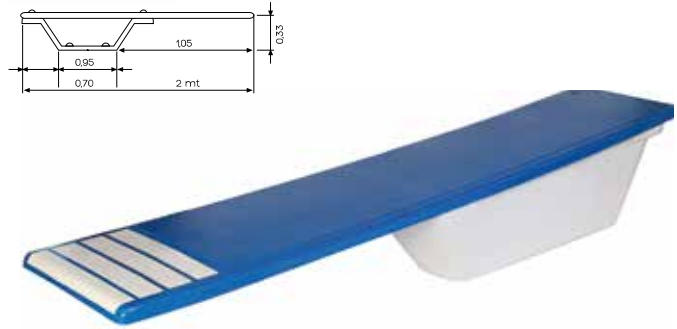
Diving board made of fiberglass and polyester with rails and support in polished stainless steel. Non-slip surface with extra strips for the diving area at the end of the board. Diving board supports maximum weight of 120 kg. Supplied with anchoring fixtures. Length 2 m. Width 0.60m



Code	Dimensions	Weight (kg)	Volume (m ³)
	(m)		
00199024	L: 2m / W: 0.60m	50	1.585

Diving Board with Base

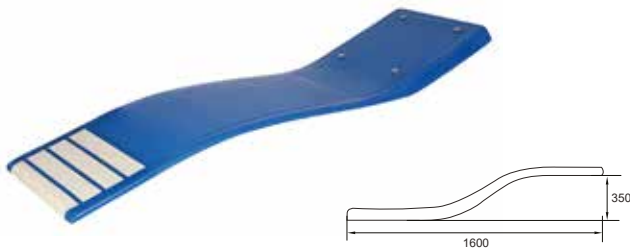
Diving board made of fiberglass and polyester with base for fixing. Non-slip surface with extra strips for the diving area at the end of the board. Diving board supports maximum weight of 120 kg. Supplied with anchoring fixtures.



Code	Description	Dimensions		Weight (kg)
		Length	Width	
00190018	Atecpool Diving Board with Base L: 2.0, W:0.39 M	2000 mm	390 mm	29
00190119	Atecpool Diving Board with Base L: 4.0, W:0.39 M	4000 mm	390 mm	50

Wave Diving Board

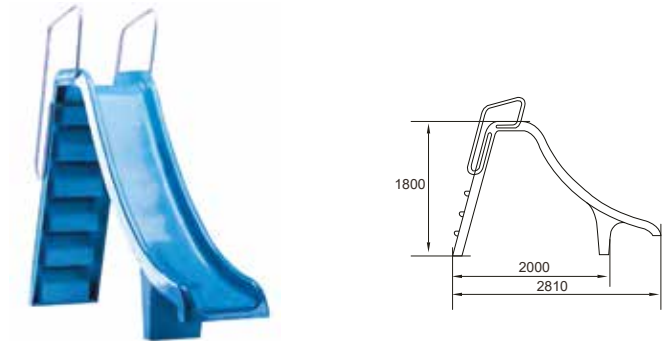
Diving board made of fiberglass and polyester with anchoring fixtures. Non slip surface with extra strips for the diving area at the end of the board. Length 1.6 m. Width 0.39 m



Code	Dimensions	Weight (kg)	Volume (m ³)
	(m)		
00190020	L: 1.60m / W: 0,39m	12.3	0.14

Slide Straight Model

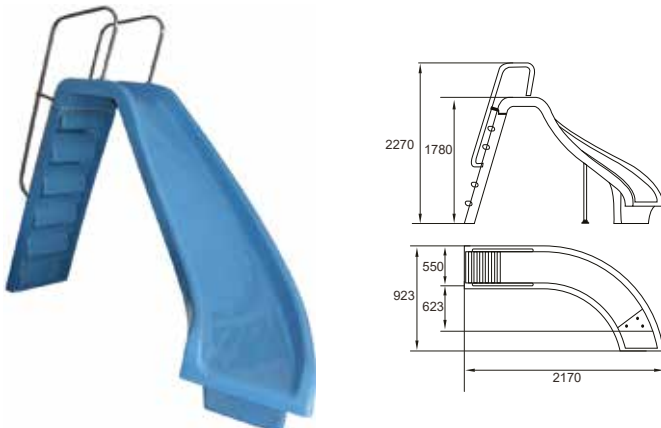
Slide made in polyester and fiberglass with non-slip polyester steps. Water Inlet to aid sliding. Supplied with grab rails and anchoring fixtures.



Code	Height	Weight (kg)	Volume (m ³)
	(mm)		
00109008	1500	62	1.214
00109003	1800	70	1.37

Slide Curved Model

Slide made in polyester and fiberglass with non-slip polyester steps. Water Inlet to aid sliding. Supplied with grab rails and anchoring fixtures. Two curved models available - right and left curve.



Code	Description	Weight	Volume
		(Kg)	(m ³)
00109004	Right Curved Slide	83	2.89
00109005	Left Curved Slide	83	2.89