

# Atecpool EuroMax Self-priming Pump

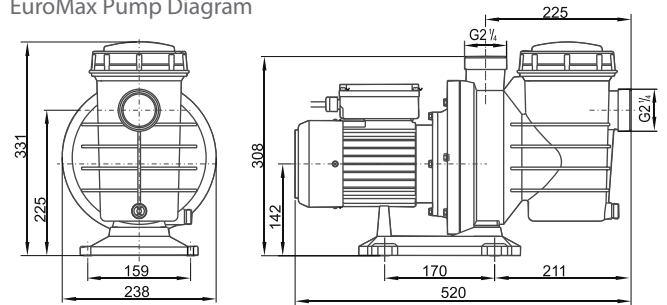
## EUROMax

Atecpool EuroMax  
Bomba auto aspirante

Atecpool EuroMax  
Pompe auto amorçante



EuroMax Pump Diagram



### Atecpool EuroMax

Self priming pump for above or inground swimming pools. Reinforced fiberglass body for maximum durability. Equipped with an advanced hydraulic design that enables high performance and reduces the noise to the minimum. Powerful motor with inbuilt thermal protector. Double protection to isolate water from electricity.

### Atecpool EuroMax Specifications

- Pump body made in polypropylene reinforced with fibreglass, resistant to the chemical products in the swimming pool.
- Noryl impeller with shaft in stainless steel AISI 316L.
- Mechanical seal in graphite and ceramics.
- Enclosed motor, totally silent, with IP-55 protection, 2900 rpm, 220-240V - 50Hz single-phase.
- Connections of suction and return at 2 1/4" for Ø50 mm bush connections.
- Suction and return unions D50 included

- 1 Self-Priming at 2 m
- 2 IP55
- 3 Class F (155)
- 4 Thermal Protection
- 5 CE and TÜV Certified
- 6 Connection of suction and return at G2-1/4 for 50 mm bush connection.

### Atecpool EuroMax Pump Specifications

Code	Power		220-240V / 50Hz		Manometric Height w.c.m					
	kW	HP	A		Flow (m <sup>3</sup> /h)					
			2	6	8	10	12	14	16	
AS050M	0,37	0,5	1,9	11	5	-	-	-	-	-
AS075M	0,55	0,75	2,7	15	11	7	3	-	-	-
AS100M	0,75	1	3,8	-	17	15	12	7	-	-
AS150M	1,1	1,5	5,8	-	22	20	18	15	12	8
AS200M	1,5	2	7,0	-	28	25	23	21	18	14

Working conditions  
Medium temp: 5 ~ 50°C  
Environmental temp: <= 50°C  
Max. working pressure: 0.3 Mpa

### Performance graph

