

- <1> When repairing the light, disconnect the main power switch or circuit switch, and underwater light's switch.
- <2> Loosen the screw, which is located at the top of the light, then make the light's upside lean and carry the niche body from the light's bottom, loosen the standby wires from the back of the light.
- <3> Put the light face upward, be careful not to scull the lampshade.
- <4> Use a screwdriver to disassemble the back's 10 screws.
- <5> Turn over the light, hold the light's Clear lens, Grounded assembly and Gasket.
- <6> Replace the lamp:
  - a. Locate the screw hole at the top, make the lamp at the horizontal place, locate the underwater light.
  - b. Hold the lamp and press it on the left lamp holder.

**⚠ WARNING**

When installing a lamp, ensure the power is off. installing a lamp after the old lamp is cool. This kind of lamp holder is equipped with halogen quartz lamp, don't touch the lamp bare fisted, which may reduce its life span. The installing lamp has plastic to protect it, which avoids fingerprint left on the lamp.

- <7> When installing a new lamp, carry on the II steps in counter direction.

**⚠ NOTE**

Select proper lamp for 12 volt.

- <8> When reinstalling underwater light, don't use the old lampshade seal, use authentic seals.

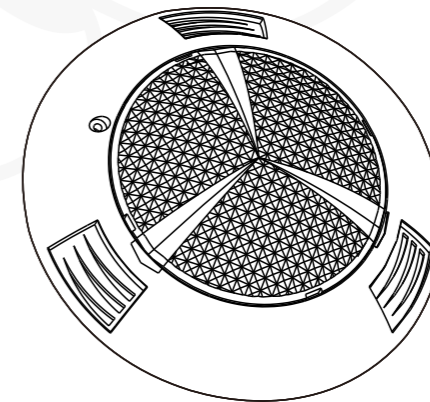
**⚠ WARNING**

- <9> Every time disassemble the underwater light, install a new lampshade seal. Failure to do so will cause water leakage, which will result in:
  - a. Electrical shock, which may cause serious damages to swimmers, installer or others.
  - b. The burst of underwater light of lampshade, which may also cause serious damages to swimmers, installer or others.
- <10>When using, the creepage-protect-switch must be tested at least once per month, which can ensure the switch work normally.
- <11>When using, prohibit anybody from stepping on the light, for fear that the distortion of the light makes the lens break up, which may cause accidental injury and loss.
- <12>The light source of this luminaire is not replaceable; when the light source reaches it's end of life the whole luminaire shall be replaced.

# Atecpool Extra Flat ABS Light

## LIGHTS OPERATING INSTRUCTION

81100



**III** IP68 0.6m

ISO9001:2008 **CE**

**⚠ CAUTION**

**RISK OF ELECTRICAL SHOCK OR ELECTROCUTION**

This underwater light must be installed by a licensed or certified electrician in accordance with the national Electrical Code and all applicable local codes and ordinances. Improper installation will create an electrical hazard which could result in death or serious injury to pool users, installer, or other due to electrical shocks, and may also cause damage to property. Read and follow the specific instructions below.

**⚠ WARNING**

Before installing this underwater light, read and follow all warning notices and instructions accompanying with this light. Otherwise it will result in severe injury, death, or property damage.

**⚠ ATTENTION**

**IMPORTANT NOTICE**

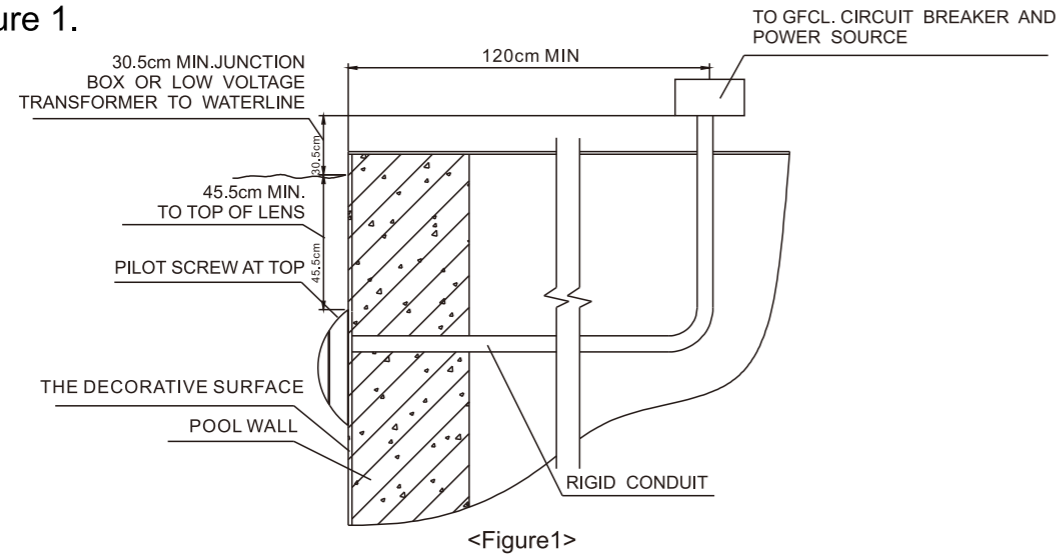
This manual contains important information about the installation, operation and safe use of this product. This information should be given to the owner/operator of this equipment.

(Read and Follow all the instructions)

## I Installing light fixture during new pool construction

### A. The electrician must complete preparatory steps before light fixture is installed.

See Figure 1.



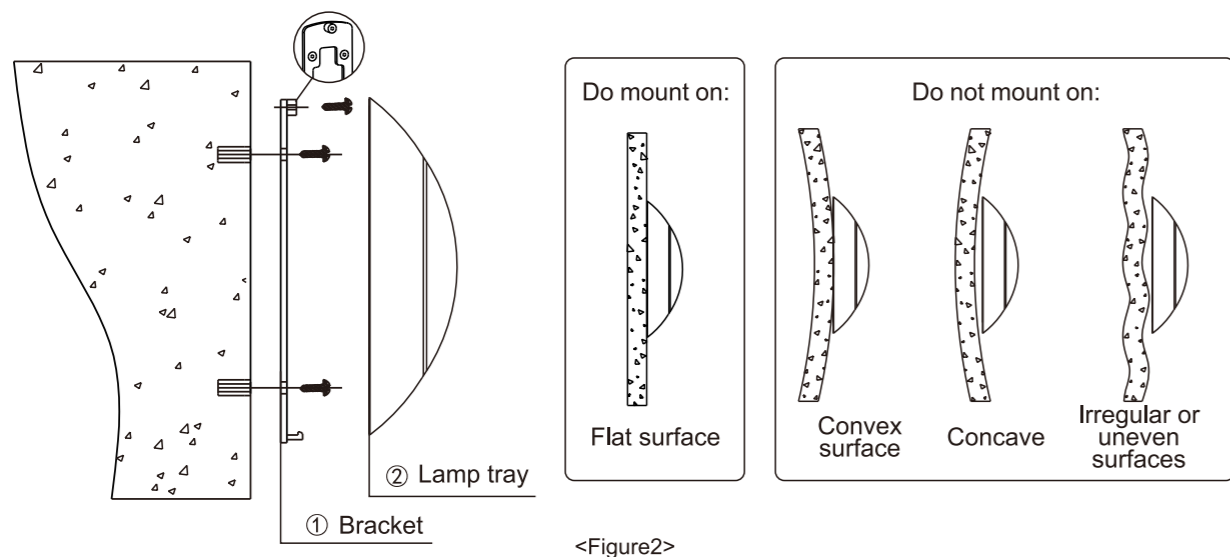
<1> Ensure that the pool meets the requirements of the current National Electrical Code and all local codes and ordinances. A licensed or certified electrician must install the electrical system to meet or exceed those requirements before the underwater light is installed. Some of the requirements of the National Electrical code which the pool's electrical system must meet are as follows.

- a. The lighting circuit must have a Ground Fault Circuit Interrupter (GFCI), and must have an appropriately rated circuit breaker, and its ground resistance should be no more than  $0.1 \Omega$ .
- b. The Junction Box (or 12 Volt models, the low voltage transformer) must be located at least 30.5cm above the water level and at least 120cm from the edge of the pool. See Figure 1.
- c. The wet niche must be properly installed so that the top edge of the underwater light's lens is at least 45.5cm below the surface of the water in the pool. See Figure 1.

<2> To be certain that pool's electrical system meets all applicable requirements, you should also consult the local building department.

### B. The following are steps to perform after the electrical system requirements met.

See Figure 2.



<Figure2>

### ⚠ WARNING

Never operate this light for more than 10 seconds unless it is totally submerged in water. Without total submersion, the light assembly will get extremely hot, which may result in serious burns or in breakage of the lamp or lens. This may result in serious injury to pool users, installer, or bystanders, or in damage to property.

### ⚠ WARNING

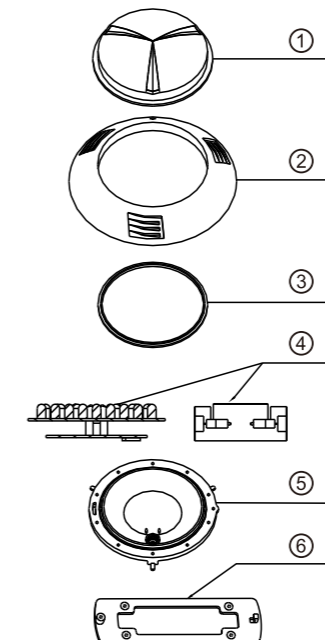
We advise to only use the stainless screws accompanying the light, if you don't use the supplied screws, it may result in electrical shock, which may cause serious damages to swimmers, installer or others.

- <1> Choose the light's location on the vertical wall, and the edge of the lampshade should be below 45.5cm from the normal water level. CEC680 stipulates that the center of the jack should be located at the top of the lampshade.
- <2> If there's no rendering face on the wall, the width of rendering face should be left.
- <3> The standby wire's length twisted on the light should be at least 120cm, twist at least 3 circles. When you take out the light from swimming pool to replace the light or maintenance, the wire should be long enough.
- <4> Draw out the remanent wire from the lead pipe at the back of the niche.
- <5> Locate the lamp foot's lamp clamp at the bottom of the lamp holder, slightly press it in order to make the screw at the top. If it's correctly installed, the niche's cushion will abound the clearance between the wall and the lamp holder.
- <6> Connect wire tie-in in the junction box, and notice not to draw out the obligate wire from the lead pipe when connecting wires. According to Electrical Code (Item 1A 1a), all the wires should be connected with GFCI (Ground Fault Circuit Interrupter) of Grade A.
- <7> Connect the 3 wires near the ground, and secure the Junction Box cover in place.

## II. Repair points for attention

Always disconnect power to the pool light before servicing the light. Failure to do could result in electrical shock, which may cause serious damages to swimmers, installer or others.

The following steps should be operated by pool owner or professionals. See Figure 3.



Item	Description
①	Lens
②	Face ring
③	Lens gasket
④	LED lamp
⑤	Base plate
⑥	Mounting bracket

<Figure3>