



RANGER 2

Item# F-RNGR2

The Ranger 2 is ADA compliant and features a field reversible design, 350 pound weight capacity, UL Certification, and comes standard with a 14 inch deck to water draft.

The Ranger 2 upholds the same standards for durability and reliability as all atecpool lifts. This lift is ideal for use on smaller hotel and motel pools. It is also a great choice for backyard pool enthusiasts who enjoy their independence. This lift is designed to be independently operated by the user, allowing full control of the lift with an easy to use 2 button handset.

The Ranger 2 is available with the same color options, solar charging station, anchoring systems, and accessories as the Pro Pool Series lifts.

U.S. Patent Nos.
7,249,386 B2 &
D507,769S



ACCENT COLORS

Available in a variety of accent and powder coat colors



*Blue seat standard (not a powder coat option)

OPTIONS/ACCESSORIES:

- F-AACA Adjustable height seat pole (adds up to 5" of seat height)
- F-04CAJP Anchor kit, standard with 4" inserts
- F-08CAJP Anchor kit, standard with 8" inserts for use with pavers
- F-046QAB-AT1 Anchor kit, quick attach with 4" inserts
- F-40220-AT1 Anchor kit, wood deck applications
- F-120PPC Cover, standard lockable, blue
- F-120PPC-T Cover, standard lockable, tan
- F-120PPC-G Cover, standard lockable, gray
- F-422PLH-2 Headrest
- F-LRB Pull-out leg rest assembly (blue, tan, gray, or white)
- F-044SCH Solar charging station
- F-428HT Transport cart



FEATURES:

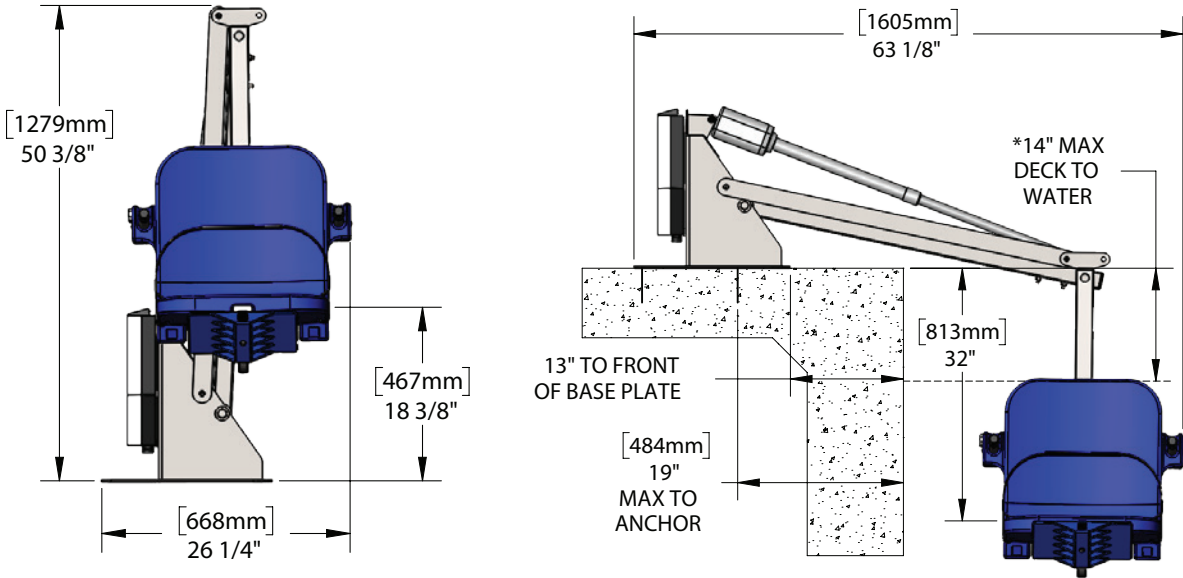
- UL Certified
- 350 lb (160 kg) weight capacity
- Setback range 14.5" - 19" (37 - 48 cm)
- 14" water draft
- Field Reversible
- Adjustable base plate
- Flip-up armrests
- Five year structural warranty
- Five year pro-rated electronics warranty

PRO POOL SERIES

THE RANGER 2 POOL LIFT



PRODUCT SPECIFICATIONS



APPLICABLE POOL PROFILES

