

***“Adding light
to your life”***



OWNER'S MANUAL

Underwater Super Bright Ultra Slim Panel LED Lighting

Model

Spectra Slim Panel
LED ABS / SS



atecpool.com

ATECPOOL
INTERNACIONAL ESPAÑA

“Adding light to your life”

Underwater Super Bright Ultra Slim Panel LED Lighting

Instructions for use



To be used with:
LED Modulator



2 CORE 
connection 
-WITH REMOTE CONTROL-

Important

This manual includes essential information on the safety measures to be implemented for installation and start-up. Therefore, the installer, as well as the user, must read these instructions before beginning installation and start-up.

Specifications

Spectra-Slim Panel 252 LED ABS Lighting 18/21W

Code	Description	Power / Voltage	Lumen	Color Temperature
91252 RGB	Spectra Panel 252 LED RGB ABS w/ niche	18W/12V AC	1350 lm	RGB 16 modes
91252 CW	Spectra Panel 252 LED Cool White ABS w/ niche	21W/12V AC	2100 lm	6000K
91252 WW	Spectra Panel 252 LED Warm White ABS w/ niche	21W/12V AC	2100 lm	3000K
91252 B	Spectra Panel 252 LED Blue ABS w/ niche	21W/12V AC	1900 lm	Single Blue

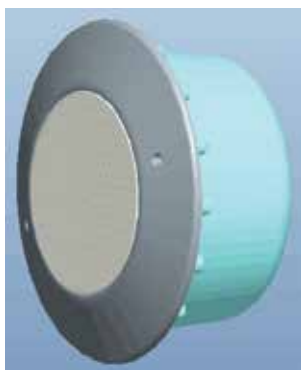
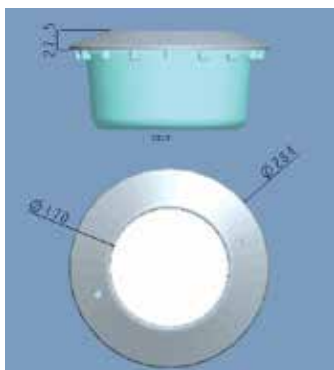
Spectra-Slim Panel 432 LED ABS Lighting 30/33W

Code	Description	Power / Voltage	Lumen	Color Temperature
91432 RGB	Spectra Panel 432 LED RGB ABS w/ niche	30W/12V AC	2300 lm	RGB 16 modes
91432 CW	Spectra Panel 432 LED Cool White ABS w/ niche	33W/12V AC	3300 lm	6000K
91432 WW	Spectra Panel 432 LED Warm White ABS w/ niche	33W/12V AC	3300 lm	3000K
91432 B	Spectra Panel 432 LED Blue ABS w/ niche	33W/12V AC	2800 lm	Single Blue

Spectra-Slim Panel 531 LED ABS Lighting 55/60W

Code	Description	Power / Voltage	Lumen	Color Temperature
91531 RGB	Spectra Panel 531 LED RGB ABS w/ niche	55W/12V AC	4100 lm	RGB 16 modes
91531 CW	Spectra Panel 531 LED Cool White ABS w/ niche	60W/12V AC	5200 lm	6000K
91531 WW	Spectra Panel 531 LED Warm White ABS w/ niche	60W/12V AC	5200 lm	3000K
91531 B	Spectra Panel 531 LED Blue ABS w/ niche	60W/12V AC	4650 lm	Single Blue

Dimensions



Specifications

Spectra-Slim Panel 252 LED S.S. 316 Lighting 18/21W

Code	Description	Power / Voltage	Lumen	Color Temperature
93252 RGB	Spectra Panel 252 LED RGB S.S. 316 w/ ABS niche	18W/12V AC	1350 lm	RGB 16 Mode
93252 CW	Spectra Panel 252 LED Cool White S.S. 316 w/ ABS niche	21W/12V AC	2100 lm	6000K
93252 WW	Spectra Panel 252 LED Warm White S.S. 316 w/ ABS niche	21W/12V AC	2100 lm	3000K
93252 B	Spectra Panel 252 LED Blue S.S. 316 w/ ABS niche	21W/12V AC	1900 lm	Single Blue

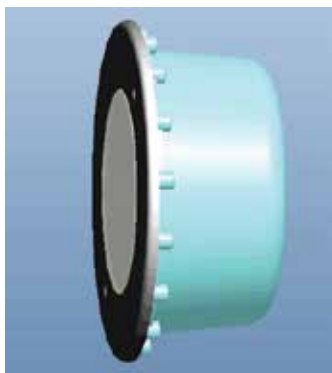
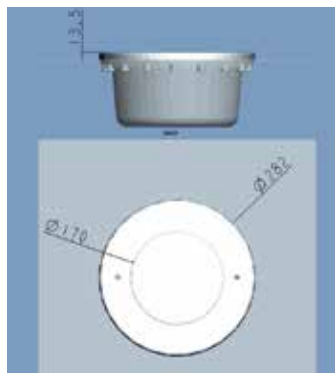
Spectra-Slim Panel 432 LED S.S. 316 Lighting 30/33W

Code	Description	Power / Voltage	Lumen	Color Temperature
93432 RGB	Spectra Panel 432 LED RGB S.S. 316 w/ ABS niche	30W/12V AC	2300 lm	RGB 16 Mode
93432 CW	Spectra Panel 432 LED Cool White S.S. 316 w/ ABS niche	33W/12V AC	3300 lm	6000K
93432 WW	Spectra Panel 432 LED Warm White S.S. 316 w/ ABS niche	33W/12V AC	3300 lm	3000K
93432 B	Spectra Panel 432 LED Blue S.S. 316 w/ ABS niche	33W/12V AC	2800 lm	Single Blue

Spectra-Slim Panel 531 LED S.S. 316 Lighting 55/60W

Code	Description	Power / Voltage	Lumen	Color Temperature
93531 RGB	Spectra Panel 531 LED RGB S.S. 316 w/ ABS niche	55W/12V AC	4100 lm	RGB 16 Mode
93531 CW	Spectra Panel 531 LED Cool White S.S. 316 w/ ABS niche	60W/12V AC	5200 lm	6000K
93531 WW	Spectra Panel 531 LED Warm White S.S. 316 w/ ABS niche	60W/12V AC	5200 lm	3000K
93531 B	Spectra Panel 531 LED Blue S.S. 316 w/ ABS niche	60W/12V AC	4650 lm	Single Blue

Dimensions



Specifications

This is a high technology electronic controlled light based on LED's in three colors: red, green and blue. These three base colors together can produce many other colors to create the perfect atmosphere in the pool. Any of the 16 pre-programmed effects can be selected with the on/off switch of your pool lights. The LED's can also be warm white only or natural white only. The LED's are driven by constant current. The technology of True PWM is adopted on the lights. High temperature protection makes the LED's protected while the internal temperature reaches a high level. All these technologies guarantee long working life of the LED lamps. The lights must be used / operated while fully submerged underwater only.

- This lamp is designed to be fixed in new pools and/or pools with existing surface mounted lamps that need replacement.
- This lamp is designed to be used only once. Should it become defective, repair is impossible, and replacement is necessary.
- The manufacturer is not responsible in any circumstances for assembly, installation or start-up of any electric components which have been inserted or handled at locations other than its own premises

16 Programs of RGB LED Bulbs

1. White: sun white
2. Red: one color red
3. Green: one color green
4. Blue: one color blue
5. Green-blue: fixed color green/blue
6. Red-green: fixed color red/green
7. Blue-red: fixed color blue-red
8. Evening sea: slow animation red/blue
9. Evening rivers: slow animation red/green
10. Riviera: slow animation green/blue
11. White: neutral white
12. Rainbow: slow animation blue/red/green
13. River of colors: program 12, followed by program 15
14. Disco: fast animation
15. Four seasons: slow animation in red/blue/green/violet
16. Party: fast animation

Installation

All lamps should be placed on the wall of the pool at approximately 700mm below the water surface, in areas that are easily accessible from the upper edge of the pool.

- It is highly recommended to use the underwater cable gland
- All lamps should be installed on the same transformer and switch.
- The lamp is supplied with cable of 2m, 4m, 6m, 10m, 16m or 20m according to the need of the user, making it possible to install multiple lamps connected to a single junction box.

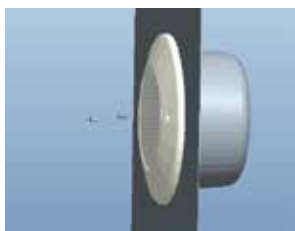
Disassemble the bracket from the back of the lamp. Place the bracket over the desired location, mark the holes, drill the holes, insert the wall plugs, and fasten the bracket on the pool wall using the stainless steel screws provided. Wind the cable behind the lamp, and then fasten the lamp on the bracket.

Installation

Prior to commencing, make sure there is no electricity passing through the wires and cables to be connected. Mount the transformer on a solid and secure wall at a minimum distance of 2 meters from any water source or pipes. Connect the 220V input voltage into the terminals clearly marked as **220V AC INPUT**. Connect the lamp cables to the terminals clearly marked as **LAMP 12VAC OUTPUT**. It is good practice to check and verify that there is a fuse inside the fuse carrier, and that it is functioning. It is essential to make sure the connections are as tight as possible in order to avoid sparking.

Spectra-Slim Panel ABS Lighting

concrete

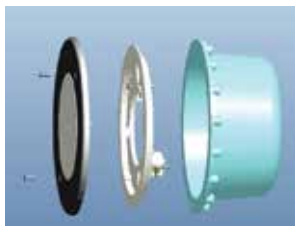


Liner

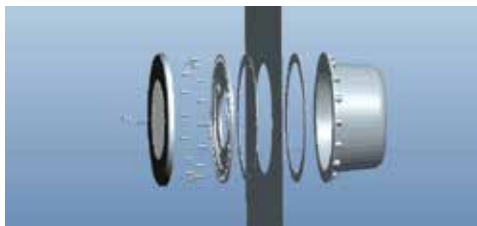


Spectra-Slim Panel SS Lighting

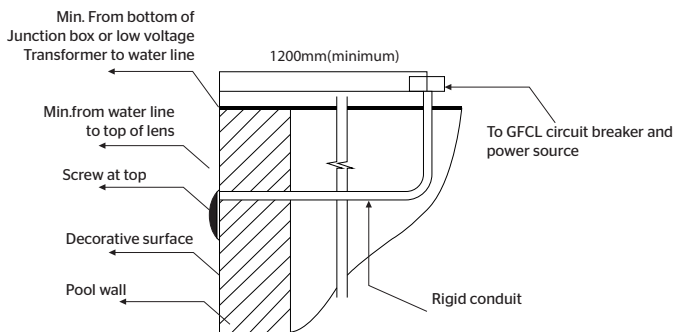
concrete



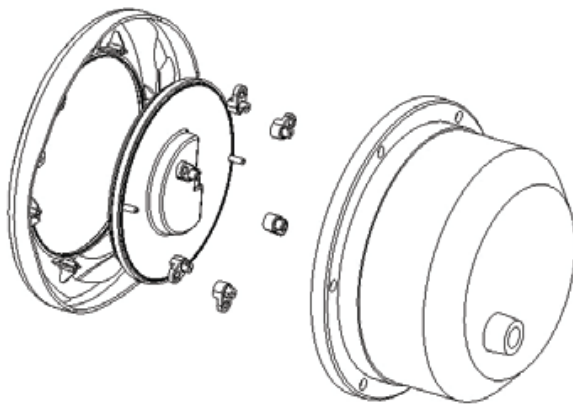
Liner



INSTALLATION DIAGRAM



Tips: The lamp can be installed in most of PAR56 niches if you take off the bracket and the outer ring. Refer to the below picture.



Installation

There is no maintenance required for this lamp - it is designed to be used only once, meaning that replacement is necessary if it becomes defective (repairing is impossible). Before any handling, ensure that there is NO voltage supplied to the lamp. To replace, unfasten the lamp from the bracket. Ensure the new lamp is of the same model and characteristics as the one being replaced.

Start-up

- The lamp should only be operated underwater while secured to the vertical walls of the pool. Never switch on the lamp if it is not underwater.
- In case of colored lamps, 16 pre-programmed effects and combinations may be selected using the on/off switch of your pool lights. Just switch off and switch on within 2 seconds.
- If the light is powered off for more than 20 seconds, it will keep the latest program when it is turned on again.
- To achieve synchronization, confirm all lamps are installed correctly on the same switch, after they are powered off for more than 20 seconds, switch on and switch off continuously three times, and then finally turn them on again. They will all go to program 5. Now you can select a program for them by switch off and on within 8 seconds.
- Alternatively, we recommend using our optional controller (with in-built safety transformer) which comes with (a) remote control for easy operation and (b) auxiliary connection of 24V for operation of any other electrical item.

Safety Warnings

The persons who are in charge of installation should have the required qualifications for this type of work.

- Avoid making contact with the electric voltage.
- Comply with the current standards regarding accident prevention.
- IEC 364-7-702 standards must be observed: WIRING IN BUILDINGS, SPECIAL WIRING, SWIMMING POOLS.
- Replacement must be performed with the lamp disconnected from the electric power system.
- Do not handle any electrical components with wet feet.

Warranty

The manufacturer warrants this LED underwater lights against defects in materials and workmanship for a period of one year from the date of purchase. This warranty does not cover the fixture becoming damaged due to misuse, accidental damage, improper handling and/or installation and specifically excludes liability for direct, incidental or consequential damages.

EC DECLARATIONS OF CONFORMITY

Manufacturer: ATECPOOL INTERNACIONAL ESPAÑA
Address City: 2ª Planta - Muelle de Barcelona
Country: Spain

Declaration the following apparatus:

Product Name: Underwater Super Bright Ultra Slim Panel LED Lighting
Model Name: Spectra-Slim LED Panel ABS / SS
Code for ABS: 91252 RGB, 91252 CW, 91252 WW, 91252 B
91432 RGB, 91432 CW, 91432 WW, 91432 B
91531 RGB, 91531 CW, 91531 WW, 91531 B
Code for SS: 93252 RGB, 93252 CW, 93252 WW, 93252 B
93432 RGB, 93432 CW, 93432 WW, 93432 B
93531 RGB, 93531 CW, 93531 WW, 93531 B

Product description:

Spectra-Slim Panel 252 LED ABS Lighting 18/21W
Spectra-Slim Panel 432 LED ABS Lighting 30/33W
Spectra-Slim Panel 531 LED ABS Lighting 55/60W
Spectra-Slim Panel 252 LED S.S. 316 Lighting 18/21W
Spectra-Slim Panel 432 LED S.S. 316 Lighting 30/33W
Spectra-Slim Panel 531 LED S.S. 316 Lighting 55/60W

Swimming Pool / Water Feature Underwater LED Lighting

CE Directives

The designated product meets the essential safety requirements of the EC-Directive 2004/108 EC Electromagnetic Compatibility Directive and 2006/95/EC Low Voltage Directive. 2004/108 EC Electromagnetic Compatibility Directive and 2006/95/EC Low Voltage Directive.

The conformity with the provisions of this directive is proved by the compliance with following standards

EN 60598-1: 2009
EN 60598-1/AMD11
EN 60598-2:18
EN 60598-2:18: 1994/AMD 1

We hereby declare that the equipment above named has been designed to comply with the relevant sections of above referenced specifications. The unit complies with all applicable Essential Requirements of the Directives.

Place: SPAIN
Date: 05-06-2011





**“Adding light
to your life”**

Contact us

Head Office
Spain

ATECPOOL INTERNACIONAL ESPAÑA

World Trade Center Edificio Sur
2ª Planta - Muelle de Barcelona
E-08039 Barcelona, Spain
Tel. + 34 93 3443358
Email: info@atecpool.com

United Arab
Emirates

A-TECHNOLOGIES FZCO

Jebel Ali Free Zone
P.O.Box: 18400 Dubai
United Arab Emirates
Tel.+ 971 4 8860880
Fax: + 971 4 8860881
Email: info@a-technologies.com

Sweden

A-TECHNOLOGIES SWEDEN AB

Frillesaasvaegen 83
S-439 62 Frillesaas, Sweden
Tel. + 46 703 655 630
Email: info@atecpool.se

Australia

A-TECHNOLOGIES AUSTRALIA

20 Mercantile Crt.
Molendinar, Qld 4214
P.O. Box: 638, Ashmore City
Tel. + 61 7 55 949111
Fax: + 61 7 55 949266
Email: info@atecpool.au

India

A-TECHNOLOGIES INDIA

613-A, 6th Floor Ansal Chamber - II
Bhikaji Came Place, New Delhi
110066, India
Tel. + 91 11 26195948
Email: divender@a-technologies.com

For more product
information:

atecpool.com

join us   

DESIGNED AND ENGINEERED
BY ATECPOOL IN BARCELONA, SPAIN



ATECPOOL
INTERNACIONAL ESPAÑA