



SKIMMER AND OUTLETS

(ABOVE GROUND POOLS)

**SKIMMER ET BOUCHES DE
REFOULEMENT**

(PISCINE HORS-SOL)

SKIMMER Y BOQUILLA

(PISCINA ELEVADA)

SKIMMER E BOCCHETTA

(PISCINA FUORITERRA)

SKIMMER UND DÜSE

(AUSSTELLBECKEN)

SKIMMER E RETORNO

(PISCINA ELEVADA)

INSTALLATION AND MAINTENANCE MANUAL
MANUEL D'INSTALLATION ET D'ENTRETIEN
MANUAL DE INSTALACION Y MANTENIMIENTO
MANUALE DI INSTALLAZIONE USO E MANUTENZIONE
EINBAU-UND BETRIEBSANLEITUNG
MANUAL DE INSTALAÇÃO E MANUTENÇÃO



PACKAGING

The following accessories will be provided in the box. (fig. 1)

- | | |
|----------------------------|---|
| 1. Skimmer body | 8. Hose connection |
| 2. Skimmer body lid | 9. Flap |
| 3. Frame for skimmer mouth | 10. Bag of screws |
| 4. Face plate embellisher | 11. Return valve (with directional ball, 2 gaskets and nut) |
| 5. 2 Seals | 12. 2 Inlet seals |
| 6. Basket | 13. Inlet nut |
| 7. Suction lid | 14. Clamp |



INSTALLATION

INSTALLATION OF THE SKIMMER AND RETURN VALVE (return inlet)

(1) SKIMMER: Filtration element which should be placed on the outside upper wall of the pool. Its function is to skim the water surface, so that debris is lodged within the skimmer basket or passed on to the filter. If too fine to be retained by the skimmer basket itself.

The pool may be treated with chlorine tablets in the skimmer basket. It is also possible to attach a vac hose to the skimmer suction lid (7).

The skimmer should be positioned opposite the direction of prevailing winds so that any debris is blown towards it (Fig 2)

1. CUTTING THE POOL WALL

The stencil provided should be used to cut around with metal scissors.

Any sharp edges should be filed to avoid damaging the PVC lining, and non-corrosive paint should be applied to protect the cut-out-area.

Follow the same method for the return inlet situated in the lower part of the pool wall (Fig 3).

2. FIXING THE SKIMMER BODY(S) TO THE OUTSIDE POOL WALL

Line up the gaskets with the pre-drilled holes on the outside wall and affix using the sticky pads (P) situated in the corners. Next screw on the skimmer body (1) using the shortest screws from the inside of the pool. Fix on the hose cuff (8), apply ptfе tape and securely thread to the skimmer body (Fig 4)

ATTENTION

Before connecting the hose, read the sections dealing with the positioning and installation of the pump in the filter manual. If a cartridge filter is being used, connect the ball valves (B) as shown in the diagram. Do not forget to put ptfе tape on the threads and to position them in accordance with the directional arrows shown on the valves (Fig. 5). Connect the hose, place ptfе tape on threaded end and thread into the suction side of the filter. Use the clamp (A) to connect the other end to the skimmer hose cuff (8).

NB: It is very important to place ptfе tape on the threads to ensure water-tight fitting.

3. FIXING THE PVC LINER

Carefully follow the instructions for pool assembly.

NB. It is very important that the liner is well-positioned around the pool walls and bottom.

(11) RETURN VALVE (RETURN INLET): Filtered water returned to the pool via this valve thus completing the filtration cycle. This valve contains a small eyeball which allows returned water to be directed to the most convenient spot for skimmer collection.

4. INSTALLATION OF THE RETURN VALVE (RETURN INLET) (Fig. 6-7)

Begin to fill the pool with water ensuring that the return valve is not covered, by only filling to a distance of 4 cms from the lower body of the inlet. Mark the hole on the liner with a pen and cut a cross within this circle with a stanley knife, being careful not to go over the edge of the circle you have drawn.

From the inside of the pool push the return inlet (11) through the cross with one of the gaskets (12) already in place. The excess liner showing on the external part of the pool should be cut cleanly to size.

The remaining gasket (12) is introduced from the external wall of the pool and will be firmly secured with the nut (13).

NB. Before proceeding to fill the pool so as to complete the installation of the skimmer, the return hose (3) to the filter should be affixed to the return valve (11) (apply ptfе tape and thread) and secured with a clamp (14).

5. INSTALLING THE SKIMMER FRAME

Once the hoses have been installed, proceed to fill the pool until it is 4 cm below the lower level of the skimmer mouth. Place the gasket on the inside of the frame by means of the sticky pads (P) so that the frame lines up with the skimmer mouth. (Fig. 8).

Loosely thread the screws through the frame to ensure that everything is correctly lined up.

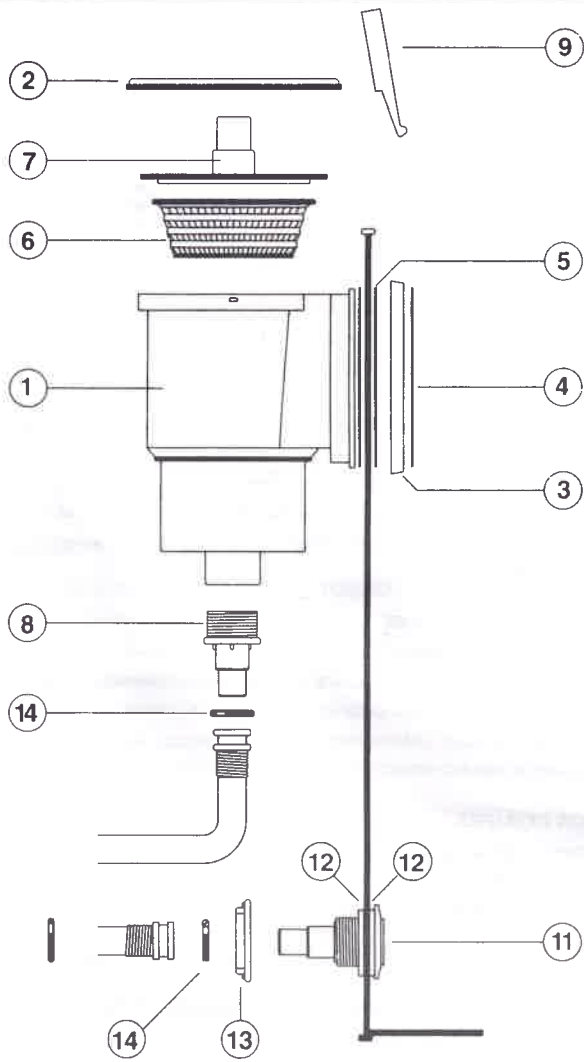
Do not fully tighten the screws to begin with, do this gradually and uniformly. Screw according to the pattern indicated, fully (Fig. 9).

6. FINAL STEPS

Push on the skimmer face plate (4) and fix the skimmer flap (9) (Fig. 10) through the skimmer mouth by pressing on the two ends.

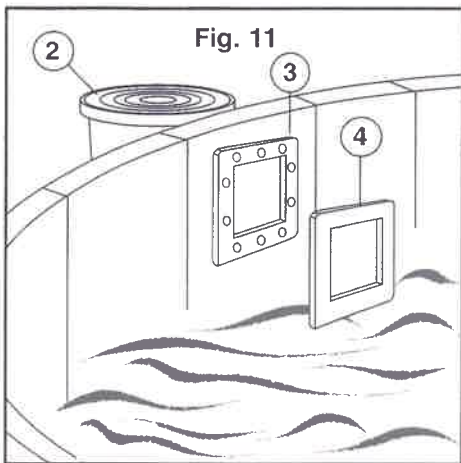
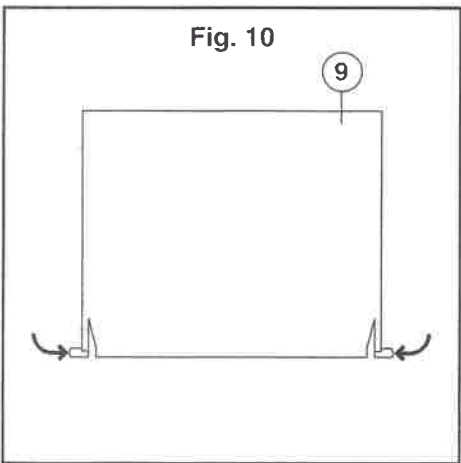
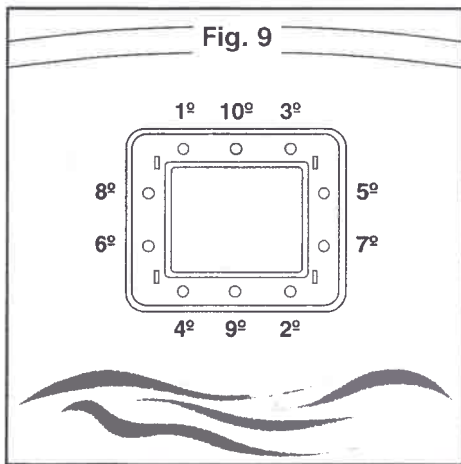
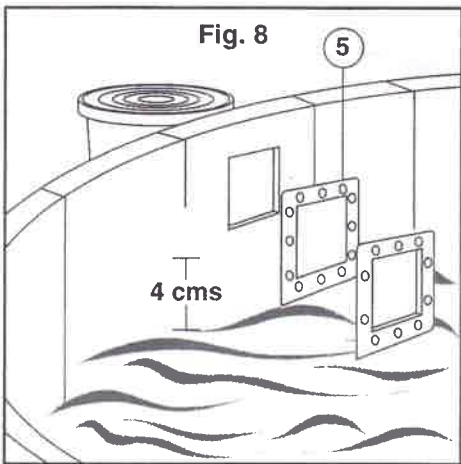
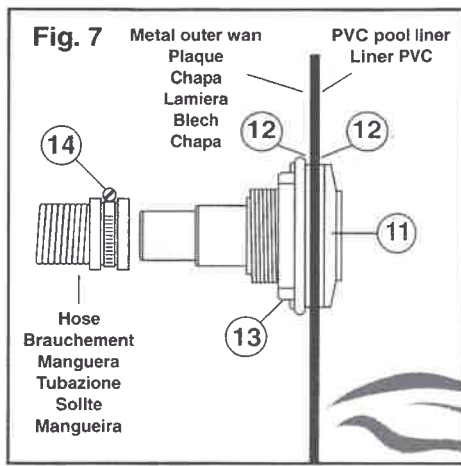
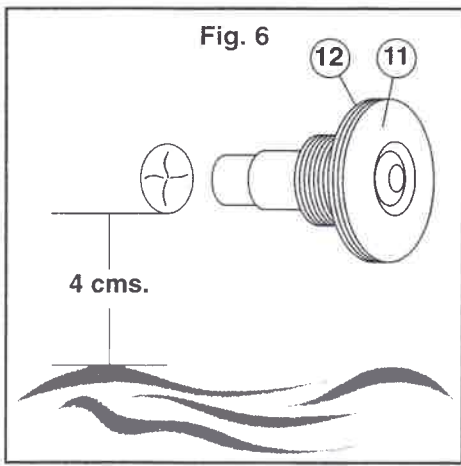
Place the skimmer basket (6) inside the skimmer, the suction lid (7) and finally the skimmer body lid (2) (Fig. 11).

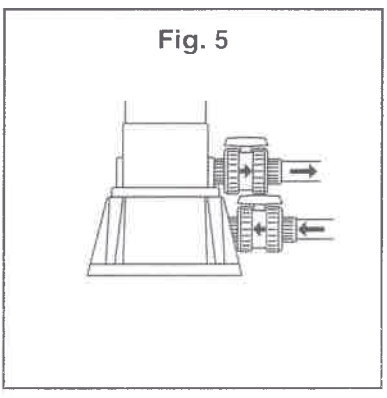
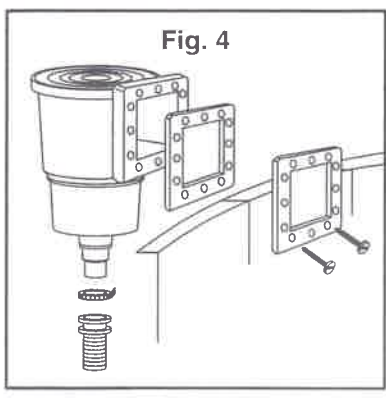
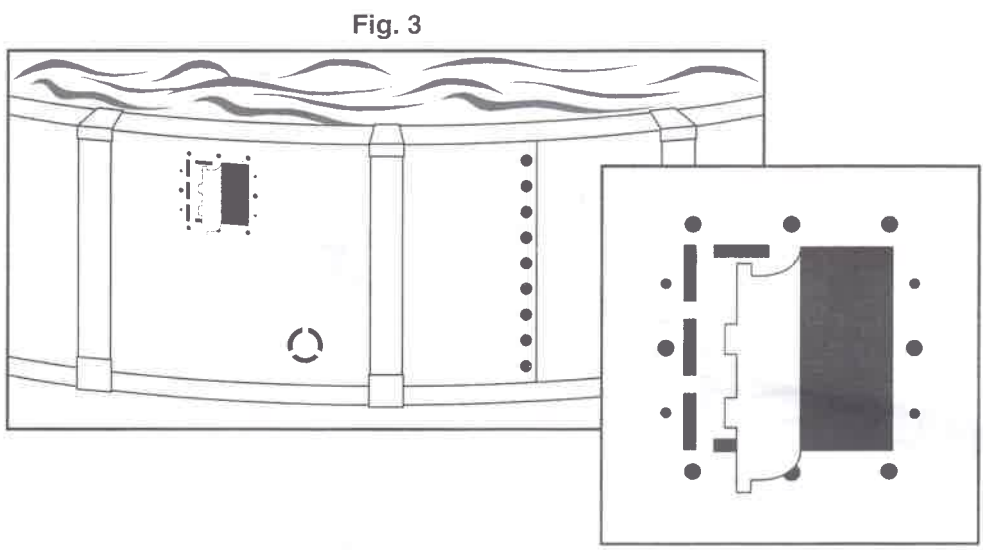
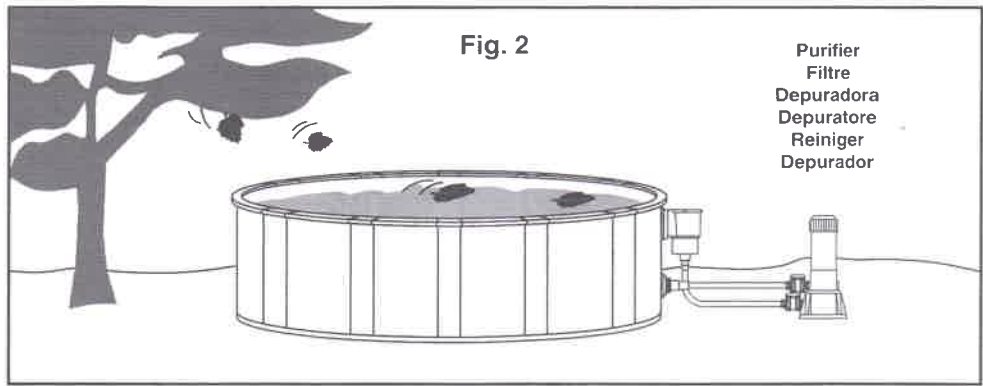
Fig. 1



ENGLISH

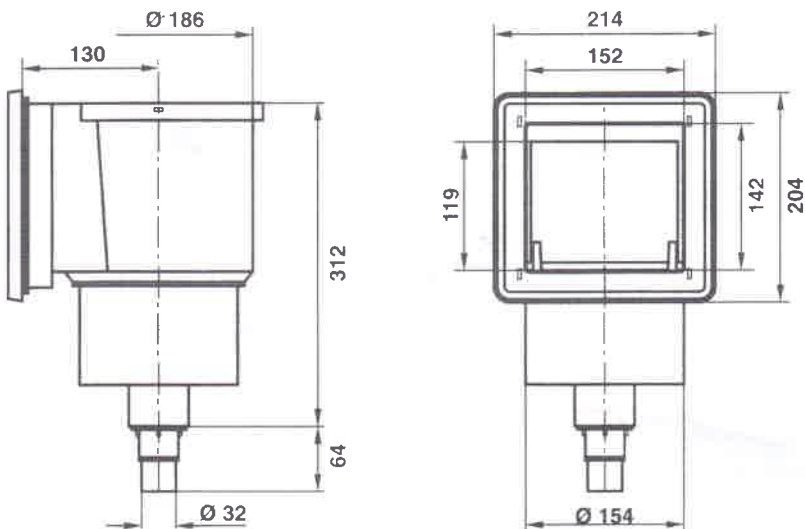
Nº	DESCRIPTION	Nº	DESCRIPTION
1	Skimmer body	8	Hose connection
2	Skimmer body lid	9	Flap
3	Frame for skimmer mouth	10	Bag of screws
4	Face plate embellisher	11	Return valve
5	Seals	12	Inlet seals
6	Basket	13	Inlet nut
7	Suction Lid	14	Clamp







TECHNICAL CHARACTERISTICS
CARACTERISTIQUES TECHNIQUES
CARACTERISTICAS TECNICAS
DATI TECNICI
TECHNISCHE ANGABEN
CARACTERÍSTICAS TÉCNICAS



06824E201 FP00

- WE RESERVE THE RIGHT TO CHANGE ALL OR PART OF THE FEATURES OF THE ARTICLES OR CONTENTS OF THIS DOCUMENT WITHOUT PRIOR NOTICE
- NOUS OUS RÉSERVONS LE DROIT DE MODIFIER TOTALEMENT OU EN PARTIE LES CARACTERISTIQUES DE NOS ARTICLES OU LE CONTENU DE CE DOCUMENT SANS PRÉ AVIS
- NOS RESERVAMOS EL DERECHO DE CAMBIAR TOTALMENTE O PARCIALMENTE LAS CARACTERISTICAS DE NUESTROS ARTICULOS O CONTENIDO DE ESTE DOCUMENTO SIN PREVIO AVISO
- CI RISERVIAMO IL DIRITTO DI CAMBIARE TOTALMENTE O PARZIALMENTE LE CARATTERISTICHE TECNICHE DEI NOSTRI PRODOTTI ED IL CONTENUTO DI QUESTO DOCUMENTO SENZA NESSUM PREAVVISO
- WIR BEHALTEN UNS DAS RECHT VOR DIE EIGENSCHAFTEN UNSERER PRODUKTE ODER DEN INHALT DIESES PROSPEKTES TEILWEISE ODER VOLLSTÄNDIG, OHNE VORHERIGE BENACHRICHTIGUNG ZU ÄNDERN
- RESERVAMO-NOS NO DIREITO DE ALTERAR, TOTAL OU PARCIALMENTE AS CARACTERISTICAS DOS NOSSOS ARTIGOS OU O CONTEUDO DESTE DOCUMENTO SEM AVISO PRÉVIO