



**12**  
LED SERIES

**ATECPPOOL**  
**VITRAGE**  
UNDERWATER LIGHT

12x3w

ALL PICTURES SHOWN ARE FOR ILLUSTRATION PURPOSE ONLY. ACTUAL PRODUCT MAY VARY.

**ATECPPOOL INTERNACIONAL ESPAÑA**

Head Office  
Spain

World Trade Center  
2ª Planta - Muelle de Barcelona  
E-08039 Barcelona, Spain  
Tel. + 34 93 3443358  
Email: info@atecpool.com

**ATECPPOOL INTERNATIONAL PTY.LTD.**

Australia

20 Mercantile Crt.  
Molendinar, Qld 4214  
P.O. Box: 638 Ashmore City,  
Tel. + 61 7 55 949111  
Fax: + 61 7 55 949266  
Email: info@atecpool.au

**A-TECHNOLOGIES SWEDEN AB**

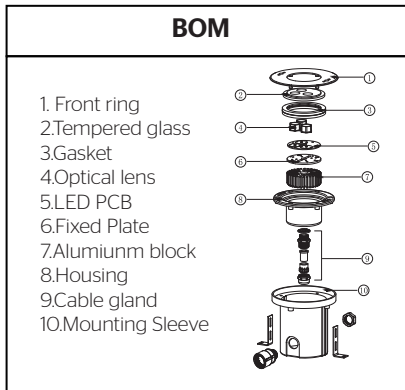
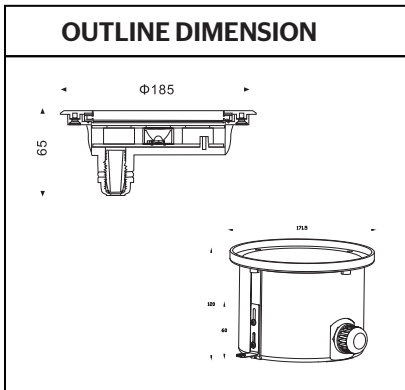
Sweden

Frillesaasvaegen 83  
S-439 62 Frillesas  
Helsingborg Sweden  
Tel. + 46 42 165090  
Email: info@atecpool.se

**A-TECHNOLOGIES FZCO.**

United Arab  
Emirates

Jebel Ali Free Zone  
P.O.Box: 18400 Dubai  
United Arab Emirates  
Tel. + 971 4 8860880  
Email: info@a-technologies.com



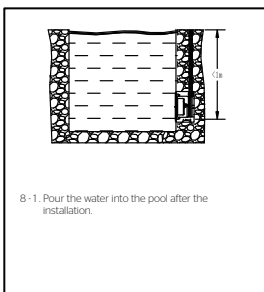
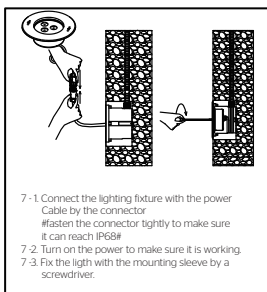
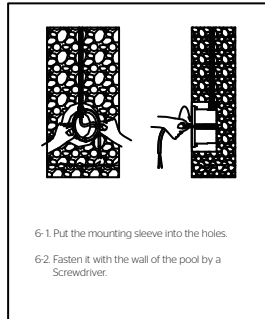
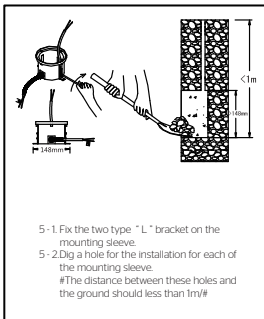
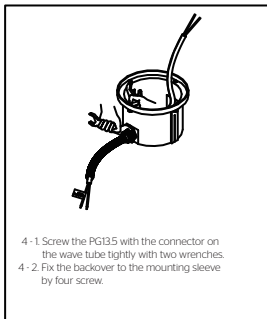
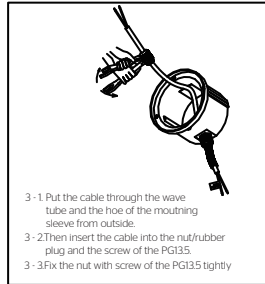
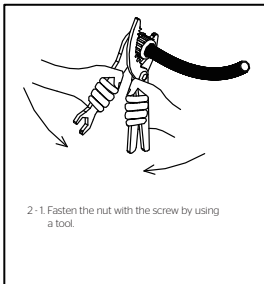
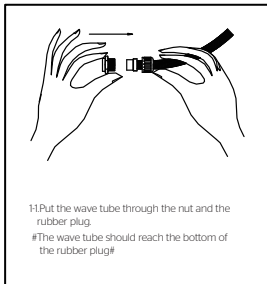
Note : The drawing was show a general introduction to this description. When the discrepancy between the actual product and drawing, Please all to the actual products.

## 1.FEATURES

- This product is a high power LED underwater light
- The standard color temperature of cool white is in range 5500-6500k;warm white is in range 2700-3200k.
- The standard input voltage is 24VDC(low voltage).When yo install the product, please check the data lable on the product and the wire.
- When using low voltage light fixture, please prepare powerful power supply or 24VDC output transformer. Total demand of power is according to total power consumption + total power of cable impedance consumption.When installation, always work with technician or install by technician.
- The main material of this product is staniless steel, due to the thermal conductivity is very bad. When using this light, make sure put it into the water, then light up.
- This is a IP68 grade product.
- Applicable environment:Temperature of water between -20 °C - +40 °C , less than 1m in depth.



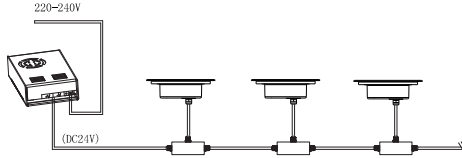
## 2.INSTALLATION



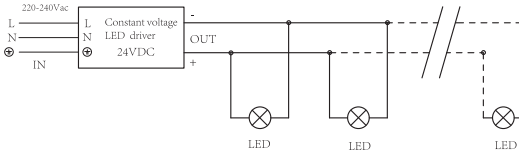
### 3. WIRING DIAGRAM

3.1 : Low voltage single color fitting use external power supply, the input voltage of power supply must be consistent with the requested input voltage of the fitting, as the fitting is constant voltage input type. The power consumption of power supply must be decided by installer according to the requirements from the site.

**Example of wiring:**



**24VDC : Circuit of Product.**



Explanations : the transmiss circuit of the whole group depends on the circuit of junction boxes the max. current depends on the max. load of power cable between the junction boxes , but it is not related to the max. load current of power cable of the fitting. The outer diameter of cable between the junction boxes is limited by the max. Outer diameter of speedy plug, the max. allowed outer diameter is 10mm.

### 4. SPECIFICATIONS

**4.1 . Material specifications :**

- Front cover & Housing : Molding shpaed sus 316L stainless steel
- Gasket : EDPM gasket
- Glass : step tempered glass. T=8mm
- Cable gland : IP-68 PG-11 Copper with nickel-coated
- Waterproof seal : Molding shaped silicone seal
- PCB : Excellent heat conductivity aluminum  
coefficient of Heat conductivity  $\geq 2.0w / mk$
- Driver : Constant current output
- Application Environment : Temperature of water between  $-20^{\circ}C - 40^{\circ}C$   
less than 1 Meter depth
- Power Supply : HO7RN-F 27. 0mm<sup>2</sup> L=3m (for single color )
- Mounting sleeve : O58 PVC

