

# Ornamental Water Features

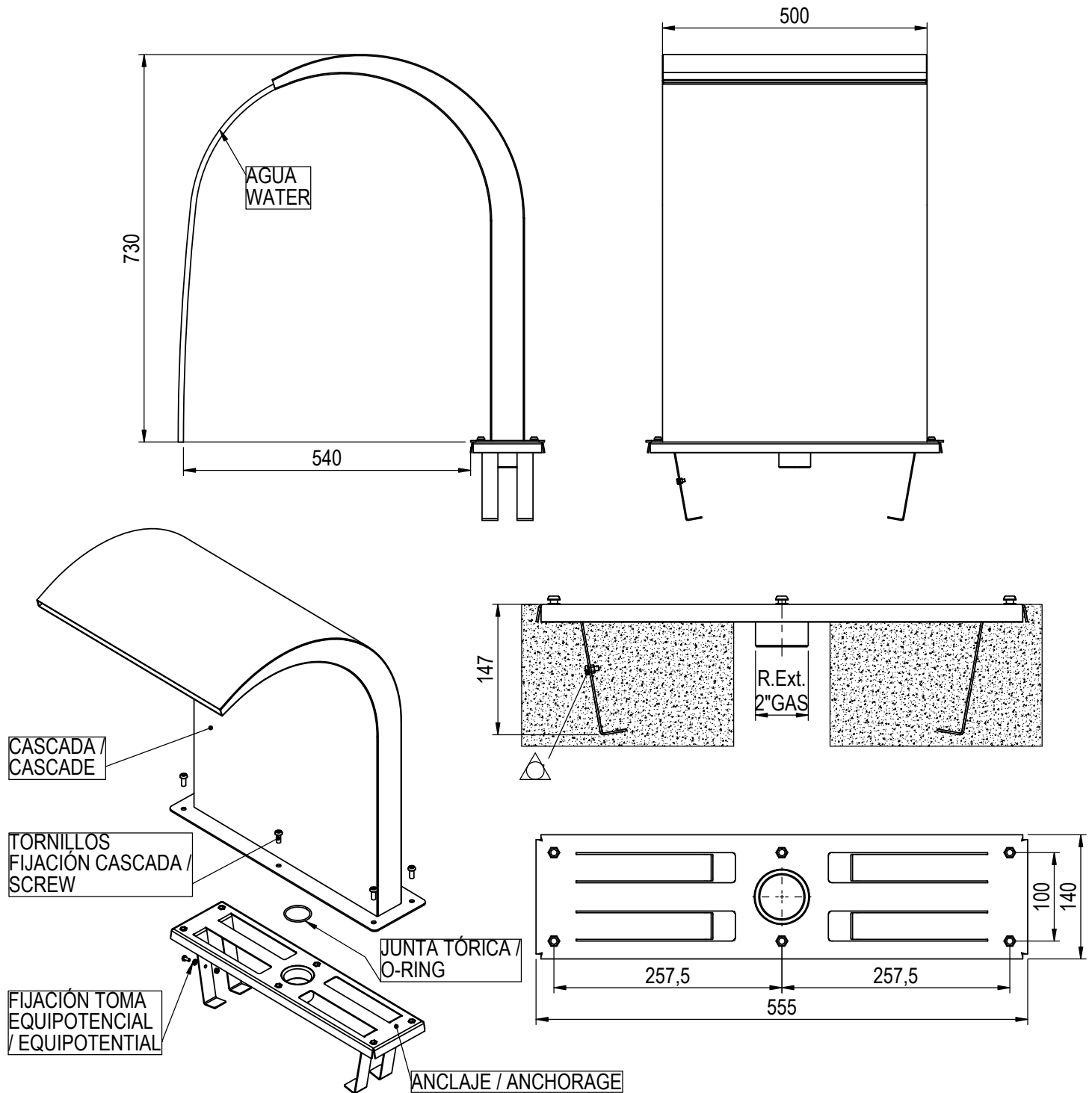
## Water Curtains

### Water Curtain Classy

0176060 ,0176070 ,0176080 ,0176090 ,01760100, 01760120 ,01760140



## INSTALACION INSTALLATION



BOMBA RECOMENDADA / RECOMMENDED PUMP: 1/2 C.V. (14m<sup>3</sup>/h) - 4 m.c.a.