

# Ornamental Water Features

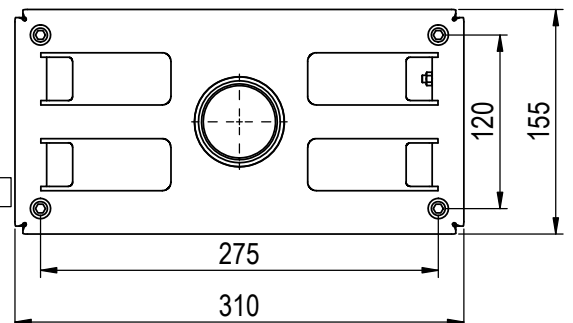
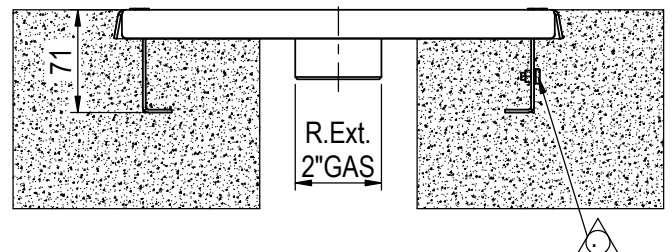
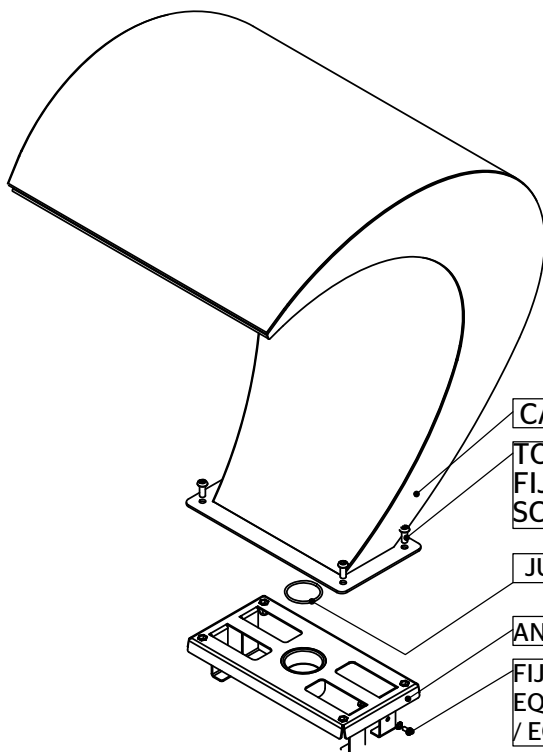
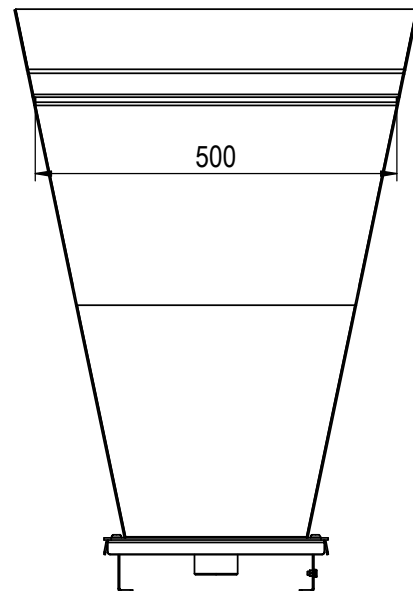
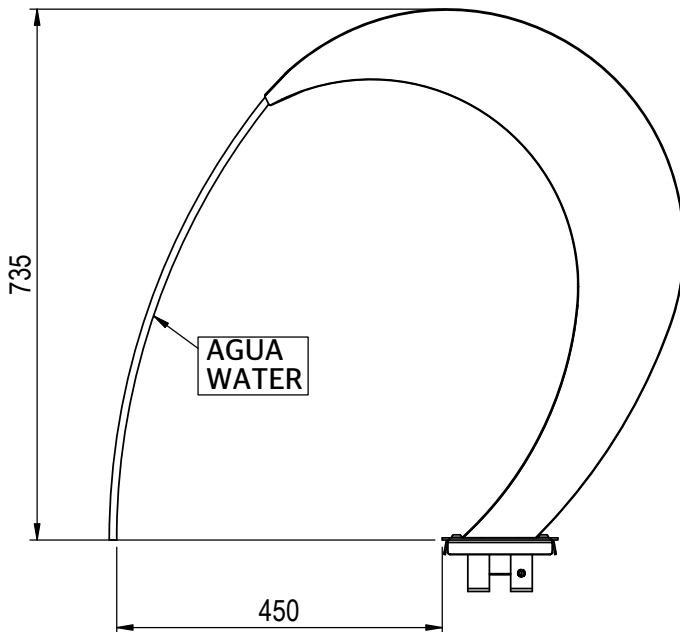
## Water Curtains

### Water Curtain Bali

0124040 ,0125050, 0126060,0126070, 0126080, 0126090, 01260100 ,01260120, 01260140



## INSTALACION INSTALLATION



BOMBA RECOMENDADA / RECOMMENDED PUMP: 1/2 C.V. (14m<sup>3</sup>/h) - 4 m.c.a.