



CARE & MAINTENANCE INSTRUCTIONS

MAINTENANCE OF DIVING BOARDS

A. MAINTENANCE OF YOUR DURAFLEX DIVING BOARD'S Slip-Resistant surface: The surface must be tested and found to be sufficiently slip resistant **WHILE THE SURFACE IS WET**. If the diving board is slippery, it must be taken out of service immediately.



Use of a diving board with an inadequate slip-resistant surface could result in severe injury or death. To prevent mishaps, test the diving board surface frequently.

Causes of the board becoming slippery:

1. Dirt and oil from users.
2. Frequency and type of use.
3. Excessive alkalinity or excessive minerals in the water.

Maintenance Methods:

1. Each day, hose off board with fresh water. Do not use a power-wash hose.
2. Monthly scrub with detergent or chlorine, hot water & soft-bristle brush.
3. Diluted Muriatic acid may be used to remove algae or stains.

FAILURE TO PROPERLY MAINTAIN YOUR EQUIPMENT MAY RESULT IN PREMATURE FAILURE OF COATING

What to do about a slippery board:

Immediately take the board out of service if it is slippery, and contact Duraflex for refinishing.

The factory finish is a result of highly developed techniques. Slip-resistant materials are bonded to the aluminum with epoxy; one of these materials works to reduce surface tension of water so that water doesn't "stand high" on the board.

Duraflex does not recommend any other type of refinishing.

B. MAINTENANCE OF THE BOARD'S FULCRUM CONTACTS:

The rubber channels on the underside of the board must be inspected periodically for signs of wear. They must be replaced if worn before any of the metal ribs contact the fulcrum.

P-121 (Revised 5/2017)



MAINTENANCE OF DURAFLEX STANDS

Hose off the entire stand with fresh water each day of use. For Indoor pools, hose off the stand with fresh water EVERY DAY. The stand cools off at night, and warm humid air will condense on the stand and hand rails, leaving a corrosive chlorine residue on the equipment.

Keep the fulcrum components clean, especially the tracks.

Keep the roller clamp lock nuts, and anti-rattle lock nuts, snug and adjusted for a “no-rattle” clearance.

The two grease fittings of the roller block should be lubricated periodically. Use “Mystic JT-6” grease and grease gun.

The hinges that hold the board to the stand need 2 drops of oil every 2 weeks. Use lightweight oil as for door hinges.

Handrails: “304 stainless steel” is not rust-proof. Clean with stainless steel cleaner and a cloth if rust appears. Rinse with large amounts of fresh water (not pool water).

Check installation and board bolts for tension. Maintain to 110 ft lbs of torque.

Tighten rail clamp bolts periodically.

Maintain slip-resistant step inserts with the same procedure as the diving board.

P-121 (Revised 5/2017)



LOCTITE 243 10 ml. THREADLOCKER INSTRUCTIONS

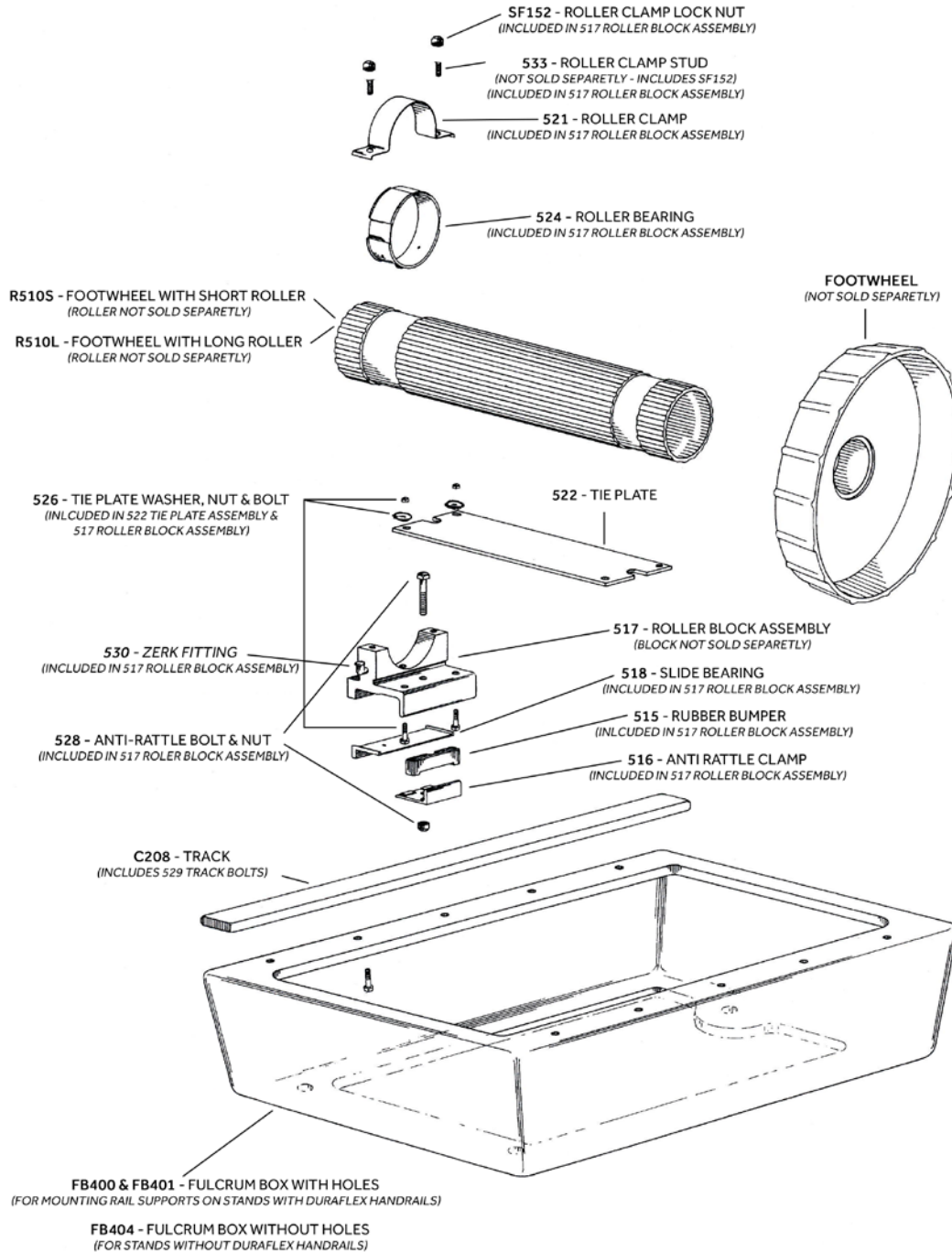
To prevent stand installation bolts from loosening, and to provide lubrication for the stainless steel bolts, Duraflex now includes a 10 ml. bottle of Loctite threadlocker.

When the stand components are in place and ready to bolt down, apply a few drops of Loctite 243 to the last inch of threads on each bolt.

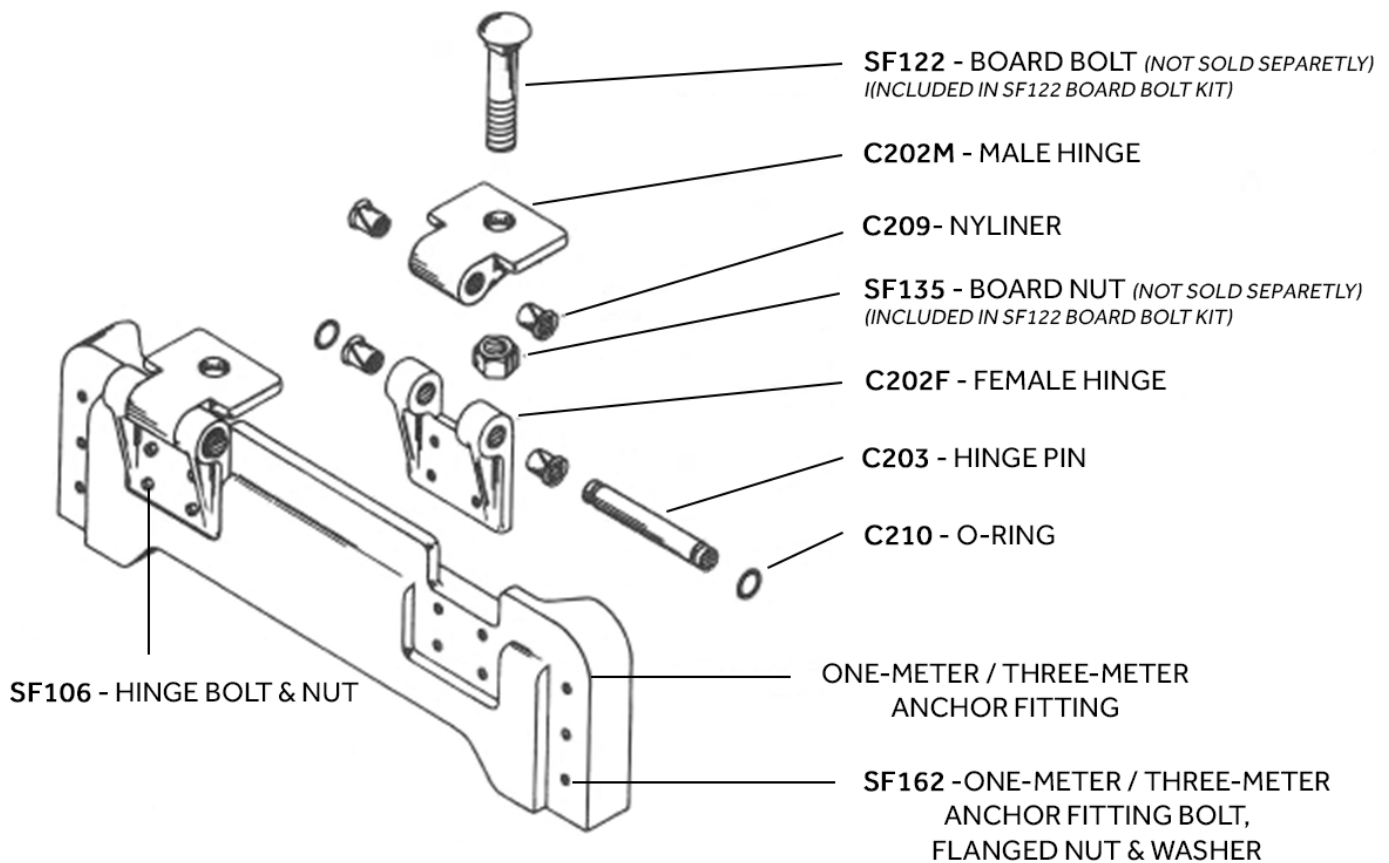
Snug all bolts and confirm alignment of the stand components.

Torque all stand anchor bolts to 110 ft.-lbs.

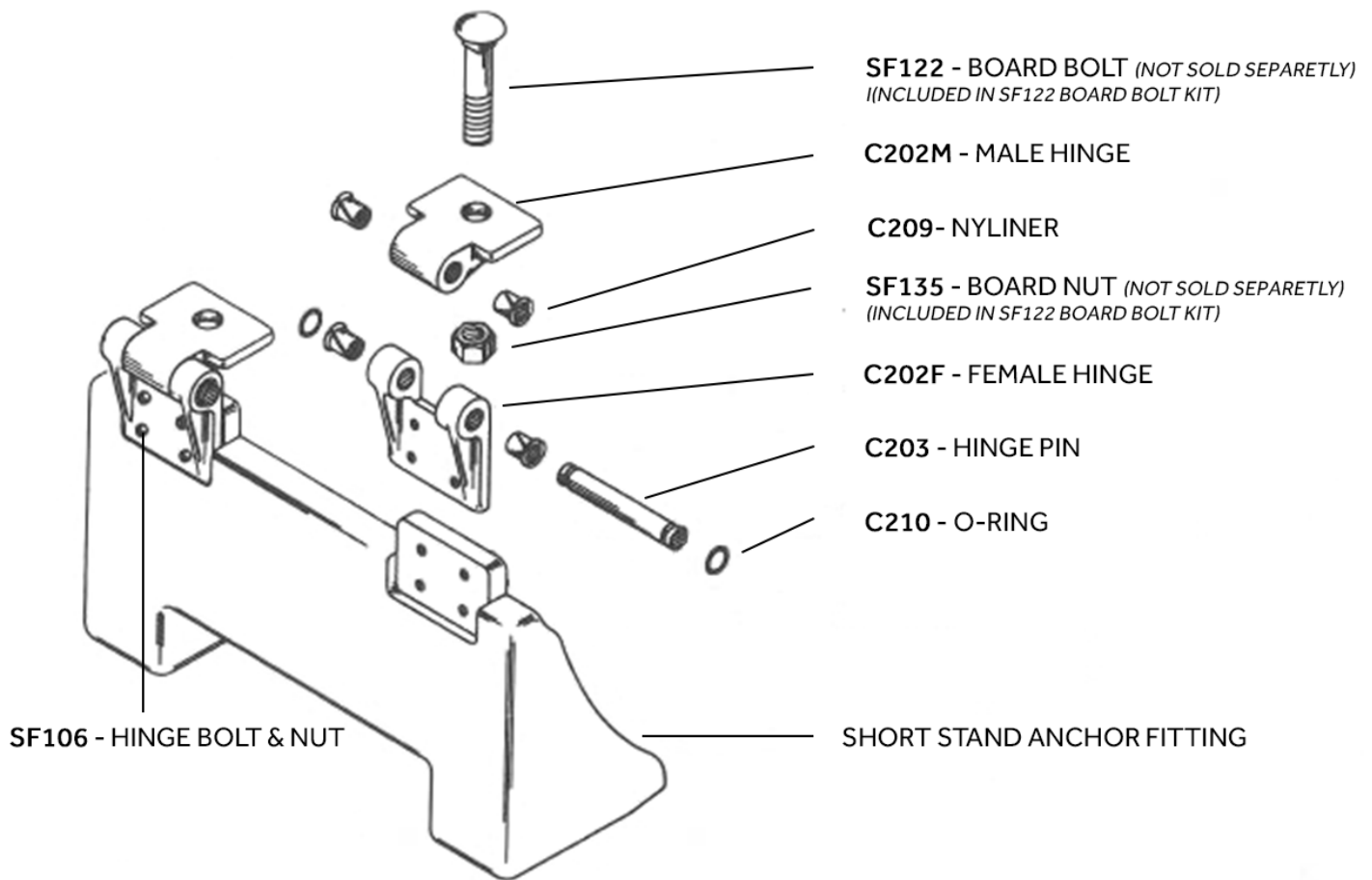
Exploded View of Fulcrum Assembly



Exploded View of One-Meter / Three Meter Hinge Assembly



Exploded View of Short Stand Hinge Assembly





INTERNATIONAL LIMITED WARRANTY

Duraflex Stands

Duraflex International Corporation warrants that it will provide replacement parts for a Duraflex Diving Stand if structural failure occurs as the result of defect in workmanship or materials. This Warranty is in effect for a period of one calendar year from the date of installation. Warranty replacement will be done at no charge, with the exception of all shipping costs which will be paid by the owner.

Owner's Obligations: This Warranty applies only if the stand is inspected and approved for repair or replacement by an officer of Duraflex International Corporation or a designated agent thereof. To enact this Warranty, the owner of the stand must notify Duraflex International Corporation in writing, giving a description of the circumstances under which the claim is being made and good photos of the stand and area of structural failure. Include catalog number of the stand involved, and its description, e.g. 1 Meter with double rails both sides, or Short Stand with no rails. Within 15 days of the receipt of the above material, Duraflex International Corporation will advise the owner if the Warranty is in effect, and if inspection at the owner's location is possible.

Exclusions: This Warranty shall not apply to the finish or surface of the stand. This Warranty shall be void if the stand is not installed in accordance with the instructions accompanying it. This Warranty does not include the cost of any inconvenience or damage due to the failure of the product, nor does it cover transportation damage, misuse, abuse or accident. All implied warranties, including but not limited to implied warranties of fitness and merchantability, are limited in duration to the period ending one year from the date of installation.



INTERNATIONAL LIMITED WARRANTY

Duraflex Springboards

Duraflex International Corporation warrants that it will replace, a Duraflex or Maxiflex Springboard if structural failure resulting from a defect in workmanship or materials occurs during the one-year period beginning on the date the board is shipped from the factory. The one year time limit will apply in all cases except where the owner has written proof that the board was installed at a significantly later date than our shipment date, in which case the Duraflex International Corporation will determine the validity of all such claims. Warranty replacement will be done at no charge, with the exception of shipping costs which will be paid by the owner.

Owner's Obligations: This Warranty applies only if the springboard is inspected and approved for replacement by an officer of the Duraflex International Corp. or a designated agent thereof. To enact the Warranty, the owner of the springboard must notify Duraflex International Corporation in writing, giving a description of the circumstances under which the claim is being made, good photos of the board and its installation, and a close up of area of structural failure. The serial number of the board involved must also be sent. Within fifteen days of the receipt of the above material, the Duraflex International Corporation will advise the owner if the warranty is in effect and if inspection at the owner's location is possible.

Exclusions: This Warranty shall not apply to the finish or the slip-resistant surface of the springboard. This Warranty shall be void if the springboard is not installed in accordance with the instructions accompanying it, or if the springboard after being installed is allowed to strike metal or concrete supports, either under or on the sides. The springboard must be installed on an anchor which is level and plumb, and there must be a minimum of 3/8" thick, first quality live rubber or vinyl between the fulcrum structure and the board. This Warranty does not include the cost of any inconvenience or damage due to failure of the product, nor does it cover transportation damage, misuse, abuse, and accident. All implied warranties, including but not limited to implied warranties of fitness and merchantability, are limited in duration to the period ending one year from date of shipment from our plant.