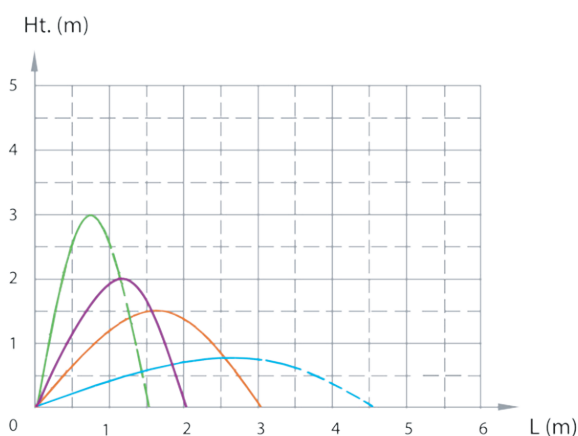


Rainbow Fountain

Z20L-12 Laminar Jet



Water Parabolas



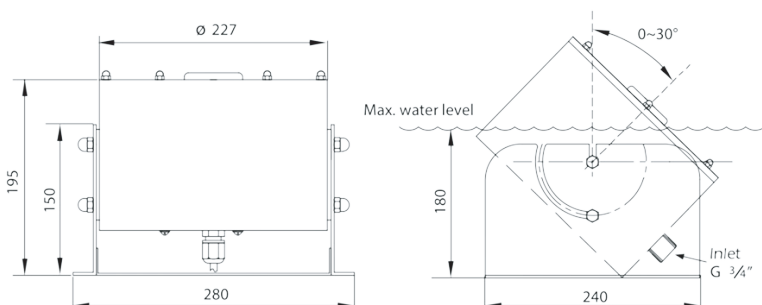
Z20L-12 Laminar Jet Specifications

- Effect: laminar water
- Orifice: 12mm
- Vertical pivoting range: 0 ~ 30°
- Max. pressure: 0.5bar
- Max. flow rate: 50 l/min
- Max. water depth: 180mm
- Rated voltage of LED light: 24V DC
- Rated power of LED light: 3W
- Light type: LED RGB / white light
- Power cable for LED light: 3m STW 18AWG
- Material: stainless steel
- Weight: 17kg

Example of application



Dimensions



Characteristics	Z20L-12
Rated voltage	24VDC
LED rated power	3W
Power Cable	3m STW 18AWG
Vertical pivoting range	0~30°
Weight	17kg
Orifice	12 mm
Max flow rate	50 ltr/min
Material	Stainless Steel