




Atecpool Inverter Heat Pumps

Sirocco Heat Pumps

Eco-friendly & silent heating solution




Temperature Range
18°C - 35°C




The most silent heat pumps




Mitsubishi
Inverter Compressor




Varying Speed



High Temperature
Range



Atecpool Sirocco Inverter Heat Pump



Temperature Range
18°C-35°C

The most efficient heat-cool pump in the market. ECO Friendly pool heating.



	Wi-fi Optional		COP up to 10
	Cost Effective		Easy to Operate

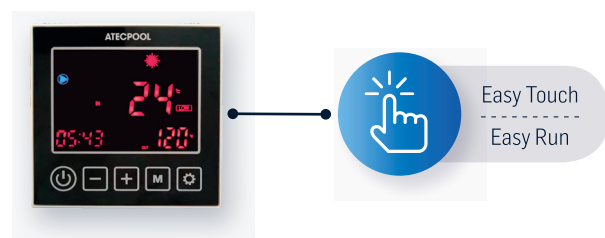
R410A GAS: Innovative refrigerant
Environmental friendly and saves energy

Average COP 10

When maintaining pool temperature at 95% of pool season, the HP is running at 50% capacity which results in the best energy saving performance and most silent pool environment.

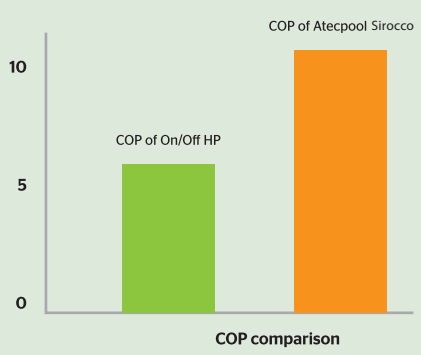
Atecpool Sirocco utilises a simple touch controller which brings the best user-friendly experience.

Simple Classic Touch Controller



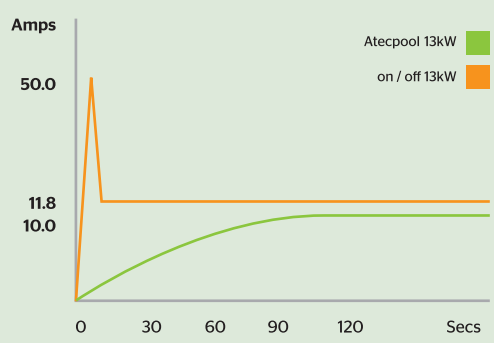
Silent Heat Pump	Patented Design	Atecpool Inverter Technology	R32/R410A production line	R410A GAS
------------------	-----------------	------------------------------	---------------------------	------------------

Double Energy saving than on/off hp



Intelligent system protection

The input current will start from 0 Amps to rated Amps steadily. No rush to house electricity system. Atecpool Sirocco can adapt to wide voltage from 180-260V and adjust the system in different conditions.

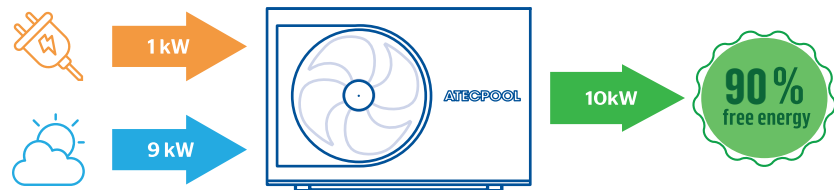


Atecpool Sirocco Inverter Heat Pump

Atecpool Sirocco Heat Pump

Free Energy

Thanks to Atecpool Inverter technology, Atecpool Sirocco provides 90% free energy from ambient air on average.



Atecpool Inverter Technology



Stepless DC Inverter

Atecpool inverters' core technology is stepless DC inverter. It adopts stepless invert compressor and DC brushless fan motor. The speed can be adjusted by a single hertz and round at a time, which provides amazing energy saving performance and extreme silence.



Unique Inverter Control System

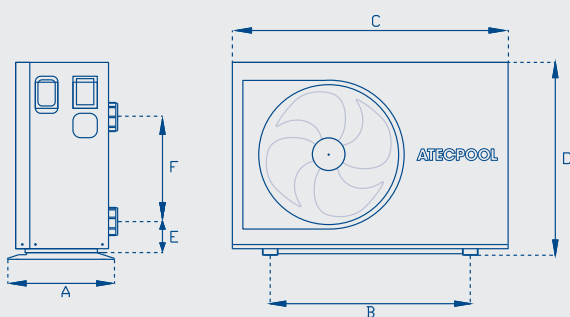
Atecpool inverters' control system is specially designed for pool heating. It can adjust the heating capacity precisely according to different heating needs high speed in the beginning of the season, and better energy saving in the rest of the season by low speed.



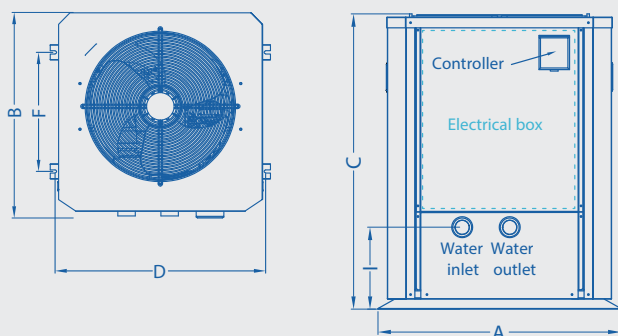
Intelligent Protection

Atecpool inverters can adapt to a wide range of voltage and adjusts the system in different tough conditions. For example, if an electricity peak or poor ventilation occurs, the system can intelligently slow down for comfortable operation. Thus, it has a longer life span than traditional on/off heat pump.

Atecpool Sirocco Dimensions

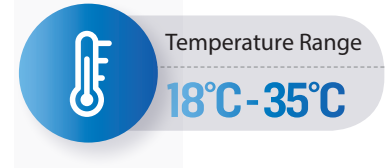


Code	A	B	C	D	E	F
	(mm)	(mm)	(mm)	(mm)	(mm)	(mm)
AIHP115	405	680	1000	660	98	380
AIHP153	405	680	1000	660	98	380
AIHP180	405	680	1000	660	98	380
AIHP212	445	653	1130	775	108	380
AIHP253	445	653	1130	775	108	470



Code	A	B	C	D	F	I
	(mm)	(mm)	(mm)	(mm)	(mm)	(mm)
AVHP265	795	742	966	760	430	268
AVHP308	795	742	966	760	430	268
AVHP352	900	812	1054	865	500	268
AVHP411	900	812	1054	865	500	268

Atecpool Sirocco Inverter Heat Pump Specifications



Atecpool Sirocco Inverter Side Discharge

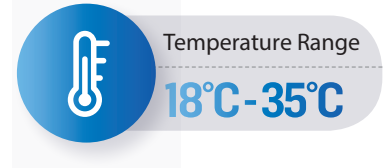


Atecpool Sirocco Side Discharge



Model		AIHP115	AIHP153	AIHP180	AIHP212	AIHP253
Ambient air temperature: 27°C, water temperature: 26°C, humidity 80%						
Heating	Heating capacity (kW)	11.5	15.3	18	21.2	25.3
	Power input (kW)	1.79	2.41	2.83	3.59	4.36
	COP	14.5~6.4	14.4~6.35	14.2~6.36	14.3~5.91	14.48~5.8
Ambient air temperature: 15°C, water temperature: 26°C, humidity 70%						
Heating	Heating capacity (kW)	8.23	11.15	13.33	14.2	16.7
	Power Input (kW)	1.614	2.226	2.693	2.88	3.394
	COP	7.81~5.1	7.64~5.01	7.55~4.95	7.45~4.93	7.58~4.92
Ambient air temperature: 43°C, water temperature: 30°C, humidity 70%						
Cooling	Cooling capacity (kW)	5.75	7.65	8.3	9.6	10.65
	Power Input (kW)	2.90	4.11	4.53	5.36	5.98
	EER	4.25~1.98	4.15~1.86	4.08~1.83	4.01~1.79	4.10~1.78
Power supply (V/Ph/Hz)		220V~240V/1P/50~60Hz			380~415V/3Ph/50~60Hz	
Max. power input (KW)		3	4.2	4.6	5.4	6
Max. current (A)		13.7	18.2	19.8	10.5	10.9
Compressor Brand		Mitsubishi (DC Inverter)				
Fan Quantities		1				
Heating temperature range		15°C - 35°C				
Cooling temperature range		18°C - 40°C				
Air Side Heat Exchanger		Hydrophilic Aluminum Fin & Copper Tube				
Water Side Heat Exchanger		Titanium Tube in PVC Tank				
Water Connection (mm)		50				
Noise Level at 1m dB(A)		33~47	35~47	35~47	37~48	37~48
Refrigerant	Type	R410A				
	Charged (kg)	0.63	0.95	1.35	1.5	1.9
Advised water flow (m³/h)		5	6	7	9.1	10.8
Fan Power Input (W)		60	60	60	120	120
Fan Speed (rpm)		850	850	850	850	850
Fan Airflow (cfm)		3000	3000	3000	5000	5000
Water pressure drop (kPa)		30	30	30	50	50
Net dimension LxWxH (mm)		980 x 398.5 x 660			1095 x 455 x 766	
Net/Gross Weight (kg)		44/57	47/60	52/65	75/84	85/94

Atecpool Sirocco Inverter Heat Pump Specifications



Atecpool Sirocco Inverter Top Discharge



Atecpool Sirocco Top Discharge



Model		AVHP265	AVHP308	AVHP352	AVHP411
Ambient air temperature: 27°C, water temperature: 26°C, humidity 80%					
Heating	Heating capacity (kW)	26.5	30.8	35.2	41.1
	Power input (kW)	4.344	5.06	5.77	6.95
	COP	14.82-6.1	14.7-6.09	14.81-6.1	14.74-5.91
Ambient air temperature: 15°C, water temperature: 26°C, humidity 70%					
Heating	Heating capacity (kW)	17.87	19.84	24.56	28.1
	Power input (kW)	3.74	4.17	5.25	5.98
	COP	7.05-4.78	7.28-4.76	6.84-4.68	7-4.7
Ambient air temperature: 35°C, water temperature: 28°C, humidity 70%					
Cooling	Cooling capacity (kW)	14.84	15.5	17.4	19.8
	Power input (kW)	5.819	6.01	6.7	7.48
	EER	4.95-2.55	4.98-2.58	5.01-2.64	5.03-2.66
Ambient air temperature: 43°C, water temperature: 30°C, humidity 70%					
Cooling	Cooling capacity (kW)	12.25	13.4	15.6	17.55
	Power input (kW)	6.03	6.47	7.57	8.43
	EER	4.45~2.03	4.43~2.07	4.41~2.06	4.44~2.08
Power Supply (V/Ph/H)	380-415V/3Ph/ 50-60Hz				
Max Power input (kW)	6.1	6.5	7.3	8.0	
Max Running Current (A)	10.9	11.6	13.0	14.3	
Refrigerant	R410A				
Compressor Brand	Mitsubishi (DC Inverter)				
Air Side Heat Exchanger	Hydrophilic Aluminum Fin & Copper Tube				
Water Side Heat Exchanger	Titanium Tube in PVC Tank				
Water Connection (mm)	50				
Advised water flow (m³/h)	9	10	12	14	
Heating Temperature Range	15°C - 35°C				
Cooling Temperature Range	18°C - 40°C				
Noise Level at 1m dB(A)	43~49	43~49	45~51	45~52	
Fan Power Input (W)	185	185	230	230	
Fan Speed (rpm)	800	800	800	800	
Fan Airflow (cfm)	6500	6500	7200	7800	
Water Pressure drop (kPa)	45	45	50	60	
Net Dimension LxWxH (mm)	760 x 687 x 963	714 x 732 x 955	900 x 812 x 1060		
Net/Gross Weight (kg)	105/120	108/123	137/152	140/155	